

The NFT 2100 is a close range CCD based fixed position bar code scanner that combines high quality Opticon technology with a low price tag.

Triggered by software commands, the NFT 2100 is perfect for the unattended scanning of bar codes up to 80mm wide at medium to low speeds, whose distance from the scanner can be controlled.

1D CCD

# NFT 2100

CCD Scanner 200 scans/sec.



## Features

- Best cost performance in the fixed-mount CCD scanner series
- RS232C, Keyboard Wedge, USB interfaces
- Packaged in the compact and metal housing

## Benefits

- Fast return on investment
- Easy connectivity
- Makes it possible to use under severe conditions

Cabled

Wireless

Stationary

OEM

**OPTICON**  
always scanning for new ID's

## NFT 2100 CCD Scanner 200 scans/sec

### Electrical specifications

Voltage requirement	5V ± 10%
Interface	RS232C, Keyboard Wedge, USB

### Optical specifications

Light source	Red LED 660 nm
Photo sensor	2k element CCD
Scan rate	200 scans/sec
Reading pitch angle	-6 - 0°, 0 - 6°
Reading skew angle	-30 - -10°, 10 - 30°
Curvature	R>20mm(EAN-8), R>30mm(EAN-13)
Min. PCS value	0.45
Min. Resolution	0.15 mm

### Supported barcode symbologies

EAN-8 incl. +2,+5 - EAN-13 incl. +2,+5 - EAN-128 - UPC-A incl. +2,+5
UPC-E incl. +2,+5 - Code 39 - Code 39 Full ASCII - Code 93 - Code 128
Industrial 2of5 - Interleaved 2of5 - Matrix 2of5 - IATA - Codabar ABC and CX
MSI/Plessey - UK/Plessey - ISBN - ISSN
Telepen - TriOptic - S-Code - Chinese Post - Italian Pharmaceutical

### Functionality

Trigger mode	External trigger signal Trigger command
--------------	--

### Environmental specifications

Temperature in operation	0 - 40 °C
Temperature in storage	-10 - 60 °C
Humidity in operation	20 - 80 % (non condensing)
Humidity in storage	20 - 90 % (non condensing)
Ambient fluorescent light	5,000 lx max
Ambient white light	5,000 lx max
Anti static electricity	15kV (non destructive)
Shock drop test	0.75m onto concrete surface
Shock vibration test	12 - 100 Hz with 2G for 3 hours

### Physical specifications

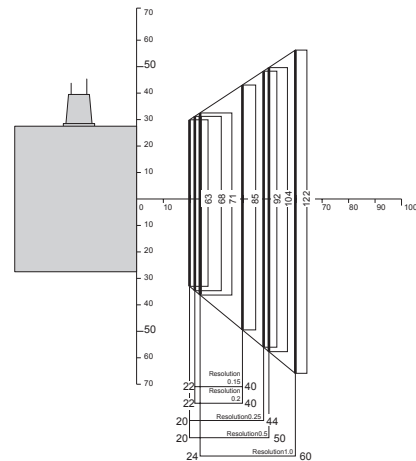
Weight body	100 g (excl. cable)
-------------	---------------------

### Regulatory

EMC	EN 55022, EN 55024
-----	--------------------

\*Measured under the certain condition.

### D.O.F. Diagram Unit:mm



### Dimensions Unit:mm

