

The bar code laser scanner of the LMD 1135 is housed in a small housing of 55 mm width and 25 mm height. The scanner is developed with autotrigger to read the bar code automatically.

1D laser

LMD 1135

Laser scanner 100 scans/decodes



Features

- Classification I laser product
- Autotrigger function
- Different interfaces available

Benefits

- Optimal safety for your eyes
- Enables handsfree operation
- Easy connectivity RS232, Keyboard Wedge, USB

Cabled

Wireless

Stationary

OEM

OPTICON
always scanning for new ID's

Specifications

LMD 1135 Laser scanner 100 scans/decodes

Electrical specifications

Voltage requirement 5 V \pm 10%

Optical specifications

Light source 650 nm visible laser diode
Scan method vibrating mirror
Scan rate 100 scans/sec
Decode rate 100 decodes/sec
Reading pitch angle -30 - +30°
Reading skew angle +8 - +50°, -8 - -50°
Reading tilt angle -20 - +20°
Curvature R>15 (at EAN8), R>20 (at EAN13)
Min. Resolution at PCS 0.9 0.127 mm (5 mil)
Min. PCS value 0.45
Depth of field 110 - 360 mm (UPC PCS0.9, resolution 1.00),
80 - 250 mm (UPC PCS0.9, resolution 0.50),
60 - 145 mm (PCS0.9, resolution 0.25),
45 - 80 mm (UPC PCS0.9, resolution 0.15),
55 - 70 mm (UPC PCS0.9, resolution 0.127)

Identification

Supported barcode symbologies Chinese Post - Codabar ABC and CX -
Code 39 - Code 39 Full ASCII - Code 93 -
Code 128 - EAN-8 incl. +2,+5 - EAN-13 incl.
+2,+5 - EAN-128 - IATA - ISBN - ISSN -
Industrial 2of5 - Interleaved 2of5 - Italian
Pharmaceutical - Matrix 2 of 5 - MSI/
Plessey - UK/Plessey - Telepen - TriOptic -
S-Code - UPC-A incl. +2,+5 - UPC-E incl.
+2,+5

Functionality

Trigger mode autotrigger / RS232
Configuration over 300 parameters can be set by RS232
or menu book
Interface Keyboard Wedge: XT/AT and PS2, RS232,
USB: HID

Environmental specifications

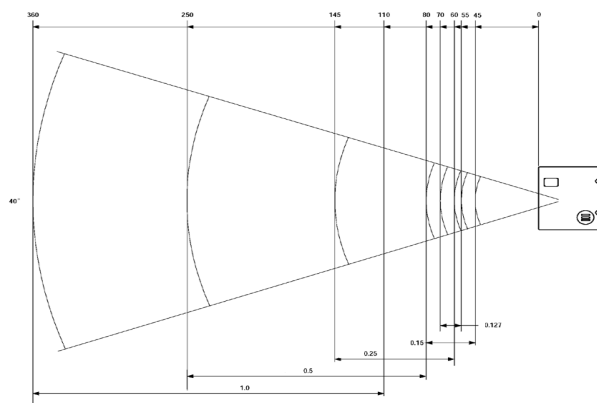
Temperature in operation -5 - +45 °C
Temperature in storage -20 - +60 °C
Humidity in operation 20 - 80 % (non condensing)
Humidity in storage 20 - 90 % (non condensing)
Ambient fluorescent light 3.000 lux max.
Ambient white light 3.000 lux max.
Ambient direct sun light 50.000 lux max.
Shock drop test 75 cm onto concrete surface

Physical specifications

Dimensions (l x w x h) 47.5 x 55 x 25,5 mm
Case material ABS
Weight body max. 60 g
Cable length 2 mtr straight
Connector Keyboard Wedge MiniDIN F/M
Connector RS232 DB9 F with external power
Connector USB USB-A

Regulatory

Laser safety class IEC 825, Class I laserproduct
EMC EN 55022, EN 55024



Copyright Opticon Sensors Europe B.V. All rights reserved. This information is subject to change without prior notice. Printed 12/10/03