



### 24" VA monitor with 3 000:1 static contrast

ProLite X2481HS - a 24" LED backlit LCD Screen featuring VA panel technology, guarantees accurate and consistent colour reproduction with wide viewing angles. Offering 3000:1 Native Contrast Ratio, the ProLite X2481HS provides excellent performance for Photographic, Design and Web-design.

Available also with height adjustable stand: [ProLite XB2481HS-B1](#)



#### VA matrix

VA panel technology offers higher contrast, darker blacks and much better viewing angles than standard TN technology. The screen will look good no matter what angle you look at it.



#### Speakers

This LED monitor is equipped with two high quality stereo speakers.

## 01 DISPLAY CHARACTERISTICS

Diagonal	23.6", 60cm
Panel	VA LED, matte finish
Native resolution	1920 x 1080 (2.1 megapixel Full HD)
Aspect ratio	16:9
Panel brightness	250 cd/m <sup>2</sup>
Static contrast	3000:1
Advanced contrast	12M:1
Response time (GTG)	6ms
Viewing zone	horizontal/vertical: 178°/178°, right/left: 89°/89°, up/down: 89°/89°
Colour support	16.7mIn (sRGB: 99%; NTSC: 72%)
Horizontal Sync	24 - 80kHz
Viewable area W x H	521.28 x 293.22mm, 20.5 x 11.5"
Pixel pitch	0.2715mm
Colour	matte

## 02 INTERFACES / CONNECTORS / CONTROLS

Signal input	VGA x1 DVI x1 HDMI x1
HDCP	yes

## 03 FEATURES

Blue light reducer	yes
OSD languages	EN, DE, FR, ES, IT, PT, CN, RU, JP
Control buttons	Power, Menu, +/-Volume/Blue Light Reducer, -, Auto
User controls	luminance (contrast, brightness, ECO, i-style Colour, ACR), image steep (clock, phase, H. position, V. position, aspect), colour (gamma, colour temperature, sRGB), OSD setup (H. position, V. position, OSD time out, language), extra (reset, signal select, HDMI audio, OD, information), volume, auto adjust
Speakers	2 x 2W
Convenience	Kensington-lock™ prepared, DDC2B, Mac OSX

## 04 MECHANICAL

Display position adjustments	tilt
Tilt angle	21° up; 4° down
VESA mounting	100 x 100mm

## 05 ACCESSORIES INCLUDED

Cables	power, DVI, Audio
Other	quick start guide, safety guide

## 06 POWER MANAGEMENT

Power supply unit	internal
Power supply	AC 100 - 240V, 50/60Hz

Power usage

25W typical, 0.3W stand by, 0.25W off mode

## 07 SUSTAINABILITY

Regulations

CE, TÜV-GS, EAC, RoHS support, ErP, WEEE, REACH

Energy efficiency class (Regulation (EU) 2017/1369)

F

REACH SVHC

above 0.1%: Lead

## 08 DIMENSIONS / WEIGHT

Product dimensions W x H x D

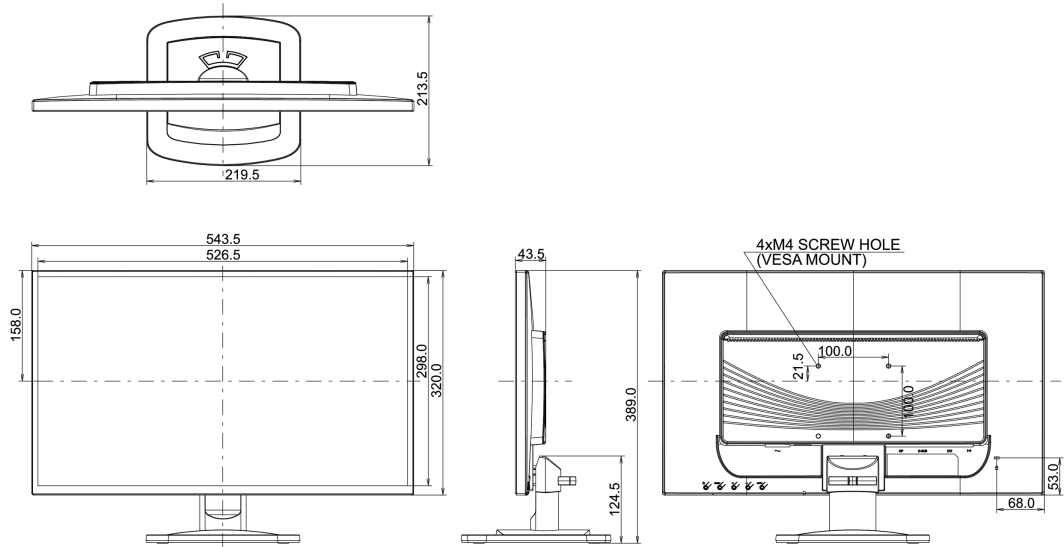
543.5 x 389 x 213.5mm

Weight (without box)

3.7kg

EAN code

4948570113576



All trademarks and registered trademarks acknowledged. E & O E. Specification subject to change without notice. All LCD's comply with ISO-9241-307:2008 in connection with pixel defects.

© IIYAMA CORPORATION. ALL RIGHTS RESERVED



**24" IPS monitor with a FHD camera and microphone**

The XUB2490HSUC is a perfect choice for demanding users looking for a high quality screen allowing for instant connection and collaboration. The IPS matrix offers accurate and consistent colour reproduction with wide viewing angles. The blue light reducer function with flicker free LCD technology reduce eye strain and offer a more comfortable viewing experience. Supplied with a height-adjustable stand featuring swivel function, the XUB2490HSUC allows you to easily adjust the screen position to your preferences. Furthermore, the versatile connectivity options assure cross platform compatibility (VGA, HDMI, DisplayPort and USB port) and make it a perfect fit for your connected office or home office workplace.



**Webcam & Microphone**

The web camera and microphone guarantee seamless compatibility with any video or web conferencing platforms.



**IPS Technology**

IPS displays are best known for wide viewing angles and natural, highly accurate colours. They are especially suited for colour-critical applications.

## 01 DISPLAY CHARACTERISTICS

Design	3-side borderless
Diagonal	23.8", 60.4cm
Panel	IPS LED, matte finish
Native resolution	1920 x 1080 @60Hz (2.1 megapixel Full HD)
Aspect ratio	16:9
Panel brightness	250 cd/m <sup>2</sup>
Static contrast	1000:1
Advanced contrast	80M:1
Response time (GTG)	4ms
Viewing zone	horizontal/vertical: 178°/178°, right/left: 89°/89°, up/down: 89°/89°
Colour support	16.7mIn (sRGB: 99%; NTSC: 72%)
Horizontal Sync	30 - 80kHz
Viewable area W x H	527 x 296.5mm, 20.7 x 11.7"
Pixel pitch	0.275mm
Colour	matte, black

## 02 INTERFACES / CONNECTORS / CONTROLS

Signal input	VGA x1 HDMI x1 DisplayPort x1
USB HUB	x1 (v.2.0)
HDCP	yes
Headphone connector	yes

## 03 FEATURES

Blue light reducer	yes
Flicker free	yes
Extra	Full HD webcam 2MP and microphone
OSD languages	EN, DE, FR, RU, JP, NL, PL
Control buttons	Power, Menu, + / Volume, - / ECO, Auto Adjust / Signal Select
User controls	luminance (contrast, brightness, i-Style colour, ACR, Eco), image settings (pixel clock, phase, H. position, V. position, aspect ratio), colour settings (gamma, 6-axis, colour temp.), OSD ( OSD H. position, OSD V. position, OSD time, language), extra (reset, DDC / CI, signal select, OD, audio source, opening logo, information)
Speakers	2 x 2W
Convenience	Kensington-lock™ prepared, DDC2B, Mac OSX

## 04 MECHANICAL

Display position adjustments	height, swivel, tilt, pivot (rotation both sides)
Height adjustment	130mm
Rotation (PIVOT function)	90°
Swivel stand	90°; 45° left; 45° right
Tilt angle	20° up; 4° down
VESA mounting	100 x 100mm

## 05 ACCESSORIES INCLUDED

Cables	power, USB, HDMI, DP
Other	quick start guide, safety guide

## 06 POWER MANAGEMENT

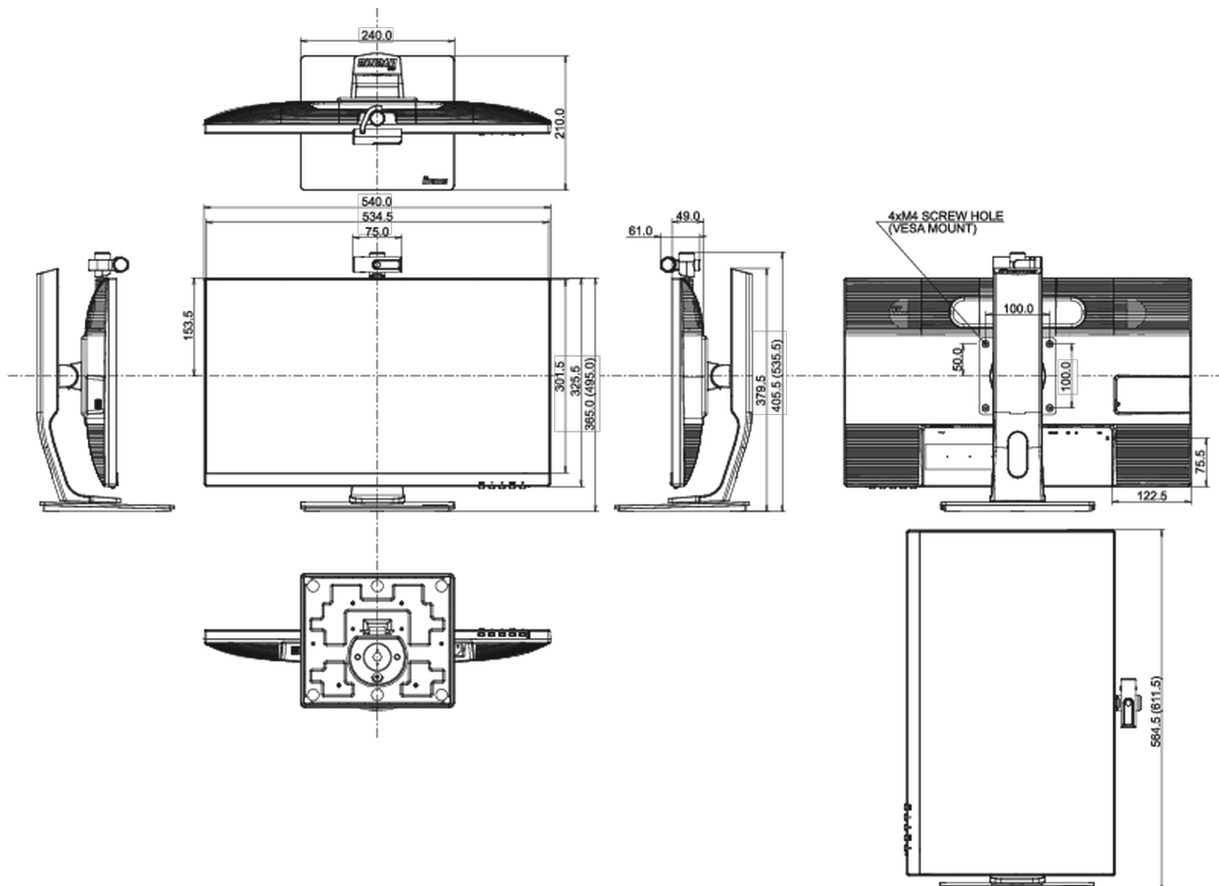
Power supply unit	internal
Power supply	AC 100 - 240V, 50/60Hz
Power usage	16W typical, 0.5W stand by, 0.5W off mode

## 07 SUSTAINABILITY

Regulations	CE, EAC, VCCI-B, PSE, RoHS support, ErP, WEEE, REACH, ENERGY STAR <sup>®</sup> , UKCA
Energy efficiency class (Regulation (EU) 2017/1369)	E
REACH SVHC	above 0.1%: Lead

## 08 DIMENSIONS / WEIGHT

Product dimensions W x H x D	540 x 405.5 x 210mm
Box dimensions W x H x D	684 x 414 x 186mm
Weight (without box)	5.1kg
Weight (with box)	6.5kg
EAN code	4948570118458



*All trademarks and registered trademarks acknowledged. E & O E. Specification subject to change without notice. All LCD's comply with ISO-9241-307:2008 in connection with pixel defects.*

© IIYAMA CORPORATION. ALL RIGHTS RESERVED



### 24" IPS technology panel with USB-C dock

Equipped with a USB-C dock connector, the XUB2492HSN allows you to simplify your workspace by using a single cable to both send signal from your notebook to your monitor and power and charge the notebook from the monitor. Additionally, if your monitor is connected to the Internet with a LAN cable, your notebook will automatically be connected to the network as well. Thanks to a DisplayPort output you can easily extend your desktop by creating a double-monitor set-up.



USB-C Dock

The dock allows you to connect your laptop with a single cable to the monitor to both make sure it is charged and connected to a wired network and signal from the laptop is sent to the monitor. A second monitor can be connected to the DisplayPort (MST) output to create a multi-monitor set-up. With additional USB-ports, your mouse, keyboard or webcam can also be connected to the monitor. All thanks to a single cable connecting your laptop\* to the USB C dock in the monitor.  
\*Functions vary depending on your laptop USB-C support.



IPS Technology

IPS displays are best known for wide viewing angles and natural, highly accurate colours. They are especially suited for colour-critical applications.



## 01 DISPLAY CHARACTERISTICS

Design	ultra slim
Diagonal	23.8", 60.5cm
Panel	IPS Panel Technology LED, matte finish
Native resolution	1920 x 1080 @75Hz (2.1 megapixel Full HD)
Aspect ratio	16:9
Panel brightness	250 cd/m <sup>2</sup>
Static contrast	1000:1
Advanced contrast	80M:1
Response time (GTG)	4ms
Viewing zone	horizontal/vertical: 178°/178°, right/left: 89°/89°, up/down: 89°/89°
Colour support	16.7mIn (sRGB: 99%; NTSC: 72%)
Horizontal Sync	30 - 85kHz
Viewable area W x H	527 x 296.5mm, 20.7 x 11.7"
Pixel pitch	0.275mm
Colour	matte, black

## 02 INTERFACES / CONNECTORS / CONTROLS

Signal input	HDMI x1 (1920 x 1080 @75Hz) DisplayPort x1 (1920 x 1080 @75Hz)
Signal output	DisplayPort x1 (Daisy Chain MST max. 1920 x 1080)
USB HUB	x2 (v.3.0)
USB-C dock	x1 (Power delivery 65W, LAN, DP out, USB 3.0)
HDCP	yes
Headphone connector	yes
RJ45 (LAN)	x1

## 03 FEATURES

Blue light reducer	yes
Flicker free	yes
OSD languages	EN, DE, FR, ES, IT, RU, JP, CZ, NL, PL
Control buttons	Power, Menu/ Select, Up/ Volume, Down/ ECO, Exit, Input
User controls	picture adjust (brightness, contrast, Eco, blue light reducer, ACR, OD), colour settings (colour temp., user preset, i-Style colour), OSD (OSD H. position, OSD V. position, OSD rotate, OSD time), language, recall, miscellaneous (sharp and soft, video mode adjust, opening logo, USB BC, MST, information), input select, audio settings (volume, mute)
Speakers	2 x 2W
Convenience	Kensington-lock™ prepared, DDC2B

## 04 MECHANICAL

Display position adjustments	height, swivel, tilt, pivot (rotation both sides)
Height adjustment	130mm
Rotation (PIVOT function)	90°
Swivel stand	90°; 45° left; 45° right
Tilt angle	22° up; 5° down

VESA mounting	100 x 100mm
Cable management system	yes

## 05 ACCESSORIES INCLUDED

Cables	power, HDMI, USB-C
Other	quick start guide, safety guide

## 06 POWER MANAGEMENT

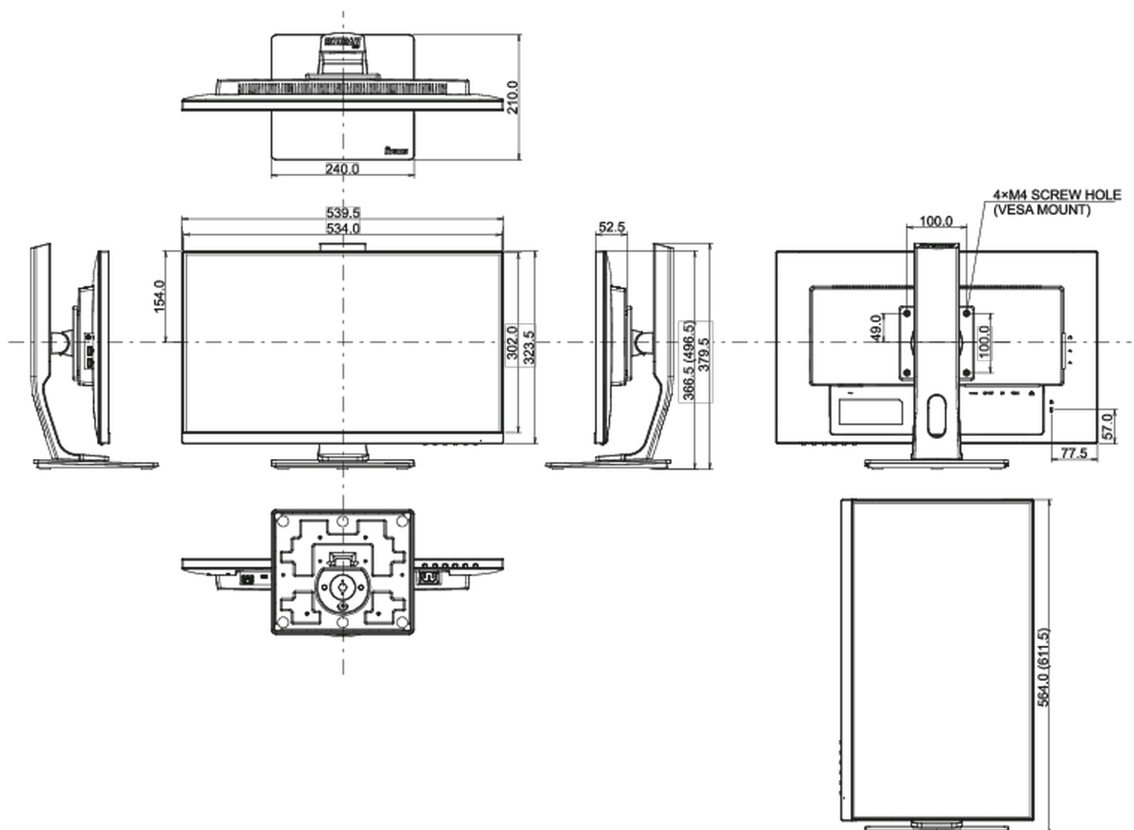
Power supply unit	internal
Power supply	AC 100 - 240V, 50/60Hz
Power usage	19W typical, 0.5W stand by, 0.5W off mode

## 07 SUSTAINABILITY

Regulations	TCO, CE, TÜV-GS, EAC, VCCI-B, PSE, RoHS support, ErP, WEEE, REACH
Energy efficiency class (Regulation (EU) 2017/1369)	F
REACH SVHC	above 0.1%: Lead

## 08 DIMENSIONS / WEIGHT

Product dimensions W x H x D	539.5 x 366.5 (496.5) x 210mm
Box dimensions W x H x D	688 x 401 x 206mm
Weight (without box)	5.4kg
EAN code	4948570117864



*All trademarks and registered trademarks acknowledged. E & O E. Specification subject to change without notice. All LCD's comply with ISO-9241-307:2008 in connection with pixel defects.*

© IIYAMA CORPORATION. ALL RIGHTS RESERVED



**24" IPS technology panel with ultra flat front and height adjustable stand**

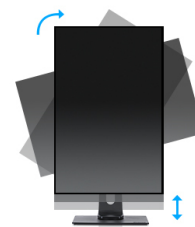
Stylish edge-to-edge design makes the ProLite XUB2492HSU perfect for multi-monitor set-ups. The IPS panel technology offers accurate and consistent colour reproduction with wide viewing angles. High contrast and brightness values mean the monitor will provide excellent performance for photographic and web design, and the height adjustable stand ensures you can easily adjust the screen position to your preferences. It is a great choice for both multi-monitor Digital Signage and office applications.

Available also in black: [ProLite XUB2492HSU-B1](#)



IPS Technology

IPS displays are best known for wide viewing angles and natural, highly accurate colours. They are especially suited for colour-critical applications.



HAS + Pivot

With a height adjustable stand you will create an ergonomic work posture and position that meets all health and safety requirements. This will not only prevent any health issues but will also increase your productivity. The pivot function allows the screen to rotate from landscape to portrait orientation. This functionality can be useful if the application requires more height than width.

## 01 DISPLAY CHARACTERISTICS

Design	ultra slim
Diagonal	23.8", 60.5cm
Panel	IPS Panel Technology LED, matte finish
Native resolution	1920 x 1080 (2.1 megapixel Full HD)
Aspect ratio	16:9
Panel brightness	250 cd/m <sup>2</sup>
Static contrast	1000:1
Advanced contrast	5M:1
Response time (GTG)	4ms
Viewing zone	horizontal/vertical: 178°/178°, right/left: 89°/89°, up/down: 89°/89°
Colour support	16.7mIn (sRGB: 99%; NTSC: 72%)
Horizontal Sync	30 - 80kHz
Viewable area W x H	527 x 296.5mm, 20.7 x 11.7"
Pixel pitch	0.275mm
Colour	matte, white

## 02 INTERFACES / CONNECTORS / CONTROLS

Signal input	VGA x1 HDMI x1 DisplayPort x1
USB HUB	x2 (v.2.0)
HDCP	yes
Headphone connector	yes

## 03 FEATURES

Blue light reducer	yes
Flicker free	yes
OSD languages	EN, DE, FR, ES, IT, CN, RU, JP, CZ, NL, PL
Control buttons	Power, Menu/ Select, +/- Volume, -/ ECO, Exit, Input
User controls	picture adjust (contrast, brightness, OD, ACR, ECO, blue light reducer), input select, audio adjust (volume, mute, digital audio), colour adjust, image adjust (auto adjust, H. position, V. position, clock, phase, sharpness, video mode adjust), language, setup (OSD position, OSD time out, opening logo, auto power off), display information, reset
Speakers	2 x 2W
Convenience	Kensington-lock™ prepared, DDC2B, Mac OSX

## 04 MECHANICAL

Display position adjustments	height, pivot (rotation), swivel, tilt
Height adjustment	130mm
Rotation (PIVOT function)	90°
Swivel stand	90°; 45° left; 45° right
Tilt angle	22° up; 5° down
VESA mounting	100 x 100mm

## 05 ACCESSORIES INCLUDED

Cables	power, USB, HDMI, DP
Other	quick start guide, safety guide

## 06 POWER MANAGEMENT

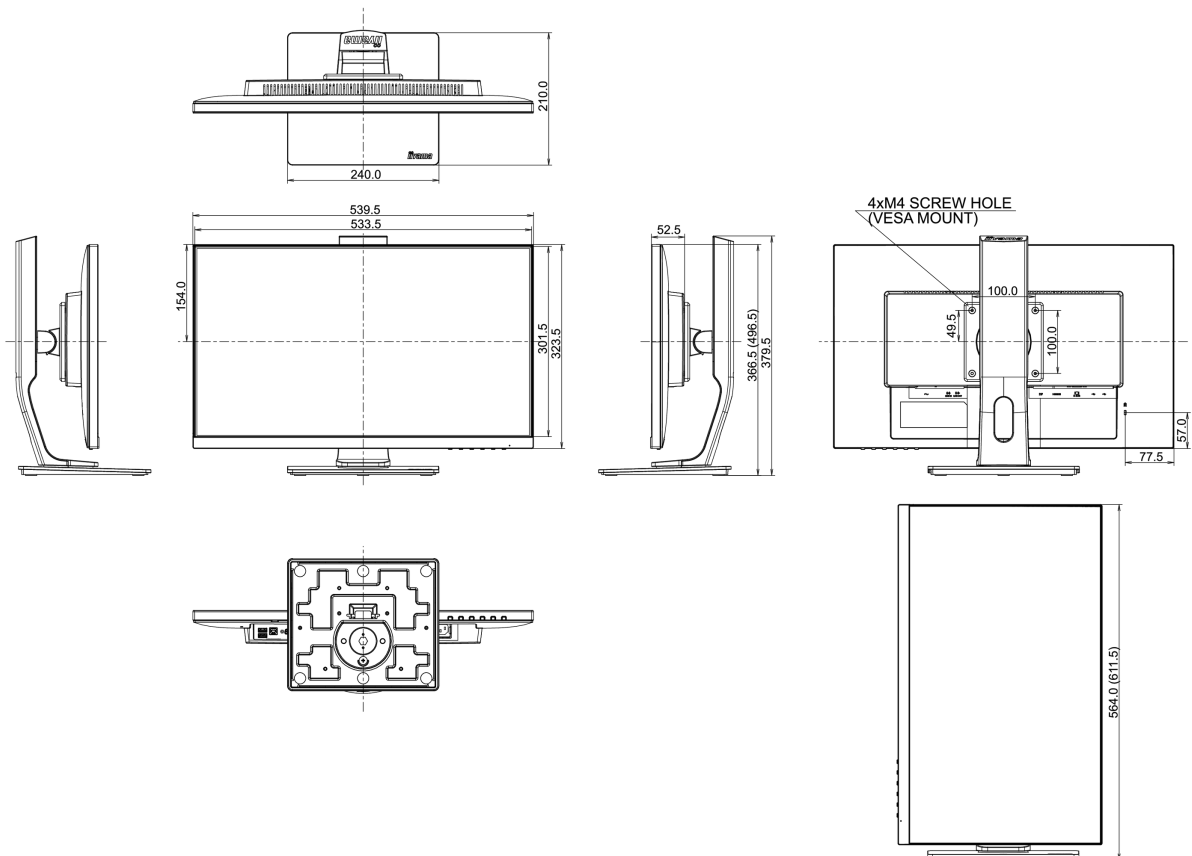
Power supply unit	internal
Power supply	AC 100 - 240V, 50/60Hz
Power usage	16W typical, 0.5W stand by, 0.5W off mode

## 07 SUSTAINABILITY

Regulations	TCO, CE, TÜV-GS, EAC, VCCI-B, PSE, RoHS support, ErP, WEEE, REACH
Energy efficiency class (Regulation (EU) 2017/1369)	E
EPEAT Silver	EPEAT is a comprehensive environmental rating that helps identify greener computers and other electronic equipment. The Silver certification means the monitor meets all required criteria plus at least 50% of the optional requirements. EPEAT Silver is valid in countries where iiyama registers the product. Please visit <a href="http://www.epeat.net">www.epeat.net</a> for the registration status in your country.
REACH SVHC	above 0.1%: Lead

## 08 DIMENSIONS / WEIGHT

Product dimensions W x H x D	539.5 x 366.5 (496.5) x 210mm
Box dimensions W x H x D	688 x 400 x 196mm
Weight (without box)	5.4kg
Weight (with box)	7kg
EAN code	4948570115549



*All trademarks and registered trademarks acknowledged. E & O E. Specification subject to change without notice. All LCD's comply with ISO-9241-307:2008 in connection with pixel defects.*

© IIYAMA CORPORATION. ALL RIGHTS RESERVED



### 24" IPS monitor with ultra-slim bezel and ultra-flat front

Stylish edge-to-edge design makes the ProLite XU2493HSU perfect for multi-monitor set-ups. The IPS panel technology offers accurate and consistent colour reproduction with wide viewing angles. High contrast and brightness values mean the monitor will provide excellent performance for photographic and web design.

Available also with height adjustable stand: [ProLite XUB2493HSU-B1 \(1920x1080\)](#) and [ProLite XUB2493QSU-B1 \(2560x1440\)](#)



#### IPS Technology

IPS displays are best known for wide viewing angles and natural, highly accurate colours. They are especially suited for colour-critical applications.



#### Flicker-free + Blue light

The ultimate solution for the comfort and health of your eyes. Flicker-free monitors with the blue light reducer function substantially reduce the strain and fatigue caused by flickering and blue light emittance of regular monitors.



## 01 DISPLAY CHARACTERISTICS

Design	ultra slim
Diagonal	23.8", 60.5cm
Panel	IPS panel technology LED, matte finish
Native resolution	1920 x 1080 @60Hz (2.1 megapixel Full HD)
Aspect ratio	16:9
Panel brightness	250 cd/m <sup>2</sup>
Static contrast	1000:1
Advanced contrast	80M:1
Response time (GTG)	4ms
Viewing zone	horizontal/vertical: 178°/178°, right/left: 89°/89°, up/down: 89°/89°
Colour support	16.7mIn (sRGB: 96%; NTSC: 72%)
Horizontal Sync	30 - 84kHz
Viewable area W x H	527 x 296.5mm, 20.7 x 11.7"
Pixel pitch	0.275mm
Colour	matte

## 02 INTERFACES / CONNECTORS / CONTROLS

Signal input	VGA x1 (1920 x 1080 @60Hz) HDMI x1 (1920 x 1080 @75Hz) DisplayPort x1 (1920 x 1080 @75Hz)
USB HUB	x2 (v.2.0)
Headphone connector	yes

## 03 FEATURES

Blue light reducer	yes
Flicker free	yes
Extra	i-style Colour
OSD languages	EN, DE, FR, ES, IT, PT, RU, JP, NL, PL
Control buttons	Signal / Auto Adjust, + / Volume, - / Eco, Menu, Power
User controls	picture adjust (contrast, brightness, i-Style Colour, adv. aontrast, Eco, OD, X-Res technology), image settings (auto adjust, pixel clock, phase, H. position, V. position, sharp and soft, aspect), colour settings (gamma, 6-axis, colour temperature), OSD (OSD H. position, OSD V. position, OSD time, language), extra (reset, DDC/CI, signal select, audio source, HDMI range, opening logo, LED, information, volume)
Speakers	2 x 2W
Convenience	Kensington-lock™ prepared, DDC/CI, DDC2B, Mac OSX

## 04 MECHANICAL

Display position adjustments	tilt
Tilt angle	21.5° up; 3.5° down
VESA mounting	100 x 100mm

## 05 ACCESSORIES INCLUDED

Cables	power, USB, HDMI
Other	quick start guide, safety guide

## 06 POWER MANAGEMENT

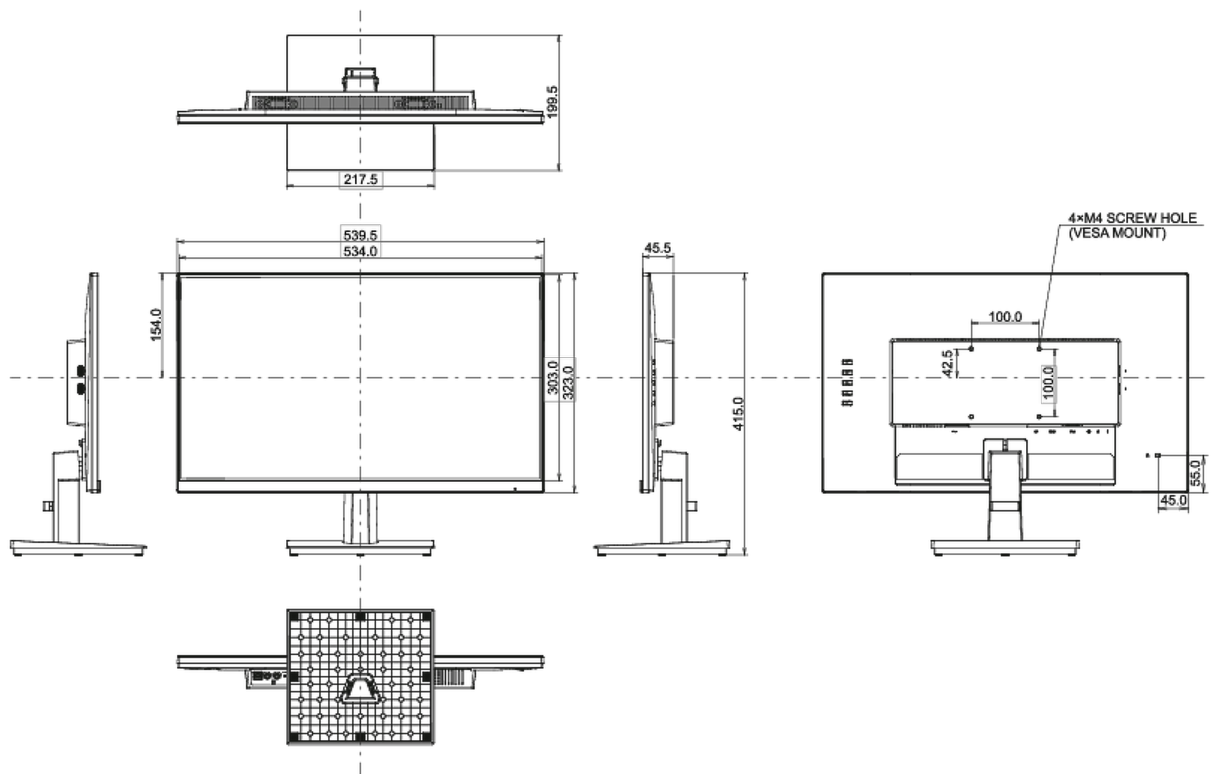
Power supply unit	internal
Power supply	AC 100 - 240V, 50/60Hz
Power usage	19W typical, 0.5W stand by, 0.5W off mode

## 07 SUSTAINABILITY

Regulations	CE, TÜV-Bauart, EAC, VCCI-B, PSE, RoHS support, ErP, WEEE, REACH, ENERGY STAR®
Energy efficiency class (Regulation (EU) 2017/1369)	F
REACH SVHC	above 0.1%: Lead

## 08 DIMENSIONS / WEIGHT

Product dimensions W x H x D	539.5 x 415 x 199.5mm
Box dimensions W x H x D	620 x 415 x 124mm
Weight (without box)	3.3kg
EAN code	4948570117499



All trademarks and registered trademarks acknowledged. E & O E. Specification subject to change without notice. All LCD's comply with ISO-9241-307:2008 in connection with pixel defects.



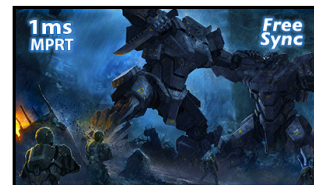
### Excellent 24" Full HD monitor for business usage and occasional gaming

The features of the 24" monitor combines both business and gaming features, so choosing your next display need not be an agonising choice. The IPS panel technology offers accurate and consistent colour reproduction with wide viewing angles. The ergonomic stand enables 13cm height adjustment and rotation making this screen suitable for applications and environments where workplace flexibility and ergonomics are key factors. Gamers, in turn, will appreciate 1ms MPRT, FreeSync and Black Tuner features.



#### IPS Technology

IPS displays are best known for wide viewing angles and natural, highly accurate colours. They are especially suited for colour-critical applications.



#### FreeSync™ & 1ms MPRT

FreeSync™ support and 1ms MPRT make this monitor an excellent choice for gaming.

## 01 DISPLAY CHARACTERISTICS

Design	ultra slim
Diagonal	23.8", 60cm
Panel	IPS LED, matte finish
Native resolution	1920 x 1080 @75Hz (2.1 megapixel Full HD)
Aspect ratio	16:9
Panel brightness	250 cd/m <sup>2</sup>
Static contrast	1000:1
Advanced contrast	80M:1
Response time (MPRT)	1ms
Viewing zone	horizontal/vertical: 178°/178°, right/left: 89°/89°, up/down: 89°/89°
Colour support	16.7mln
Horizontal Sync	31 - 85kHz
Viewable area W x H	527 x 296.5mm, 20.7 x 11.7"
Pixel pitch	0.275mm
Colour	matte, black

## 02 INTERFACES / CONNECTORS / CONTROLS

Signal input	HDMI x1 DisplayPort x1
USB HUB	x2 (v.2.0 DC5V, 500mA)
HDCP	yes
Headphone connector	yes

## 03 FEATURES

Blue light reducer	yes
Flicker free	yes
FreeSync support	yes
OSD languages	EN, DE, FR, ES, IT, RU, JP, CZ, NL, PL
Control buttons	Power, Menu, Scroll Up / i-Style Colour, Scroll Down / Input Select, Left / ECO, Right / Volume
User controls	picture adjust (contrast, brightness, OD, AC, ECO, blue light reducer, black tuner, colour saturation, gamma), input select (Input source), audio settings (volume, mute), store user settings, colour settings (colour temperature, user preset), language, setup menu (OSD H. position, OSD V. position, OSD time, opening logo, AMD FreeSync, MBR), display information, recall
Speakers	2 x 2W
Convenience	Kensington-lock™ prepared, DDC2B

## 04 MECHANICAL

Display position adjustments	height, pivot (rotation), tilt
Height adjustment	130mm
Rotation (PIVOT function)	90°
Tilt angle	18° up; 3° down
VESA mounting	100 x 100mm
Cable management system	yes

## 05 ACCESSORIES INCLUDED

Cables	power, USB, HDMI
Other	quick start guide, safety guide

## 06 POWER MANAGEMENT

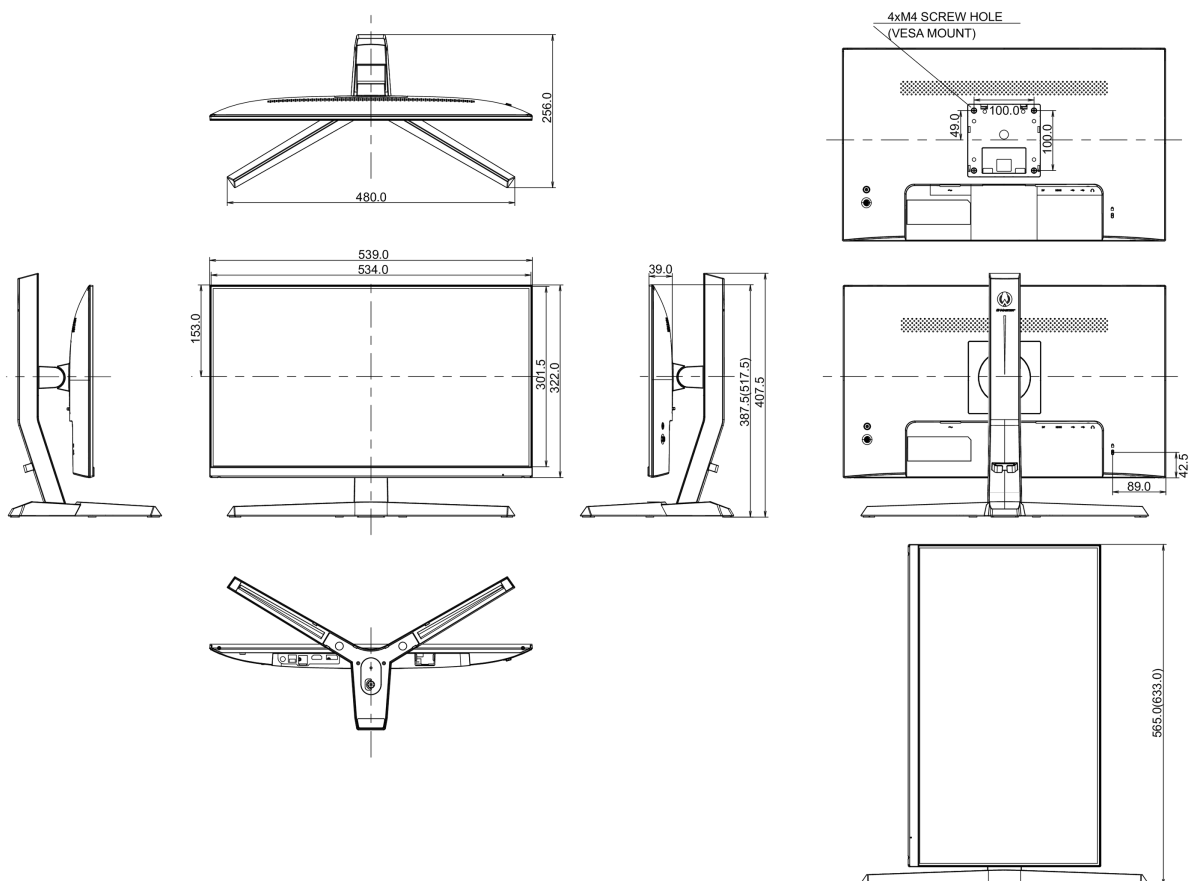
Power supply unit	internal
Power supply	AC 100 - 240V, 50/60Hz
Power usage	17W typical, 0.5W stand by, 0.5W off mode

## 07 SUSTAINABILITY

Regulations	CE, TÜV-Bauart, EAC, PSE, RoHS support, ErP, ENERGY STAR®, WEEE, VCCI, REACH
Energy efficiency class (Regulation (EU) 2017/1369)	E
REACH SVHC	above 0.1%: Lead

## 08 DIMENSIONS / WEIGHT

Product dimensions W x H x D	539 x 387.5 (517.5) x 256mm
Box dimensions W x H x D	669 x 475 x 212mm
Weight (without box)	4.7kg
Weight (with box)	6.5kg
EAN code	4948570117956



*All trademarks and registered trademarks acknowledged. E & O E. Specification subject to change without notice. All LCD's comply with ISO-9241-307:2008 in connection with pixel defects.*

© IIYAMA CORPORATION. ALL RIGHTS RESERVED



**Full HD LED monitor with 1 ms response time and USB hub, perfect choice for home and office**

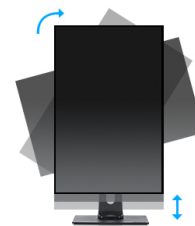
The ProLite B2483HSU is an excellent 24" Full HD LED-backlit monitor with 1920 x 1080p resolution. It features 1ms response time and 80 000 000 : 1 Advanced Contrast Ratio, assuring clear and vibrant picture quality and high contrast. Triple input support ensures compatibility with the latest installed graphics cards and embedded Notebook outputs. The ergonomic stand offers 13 cm height adjustment with pivot, swivel and tilt, making this screen suitable for a wide range of applications and environments where workplace flexibility and ergonomics are key factors. The monitor is TCO and Energy Star certified. A perfect solution for education, local government, business and finance markets.

Available also in white: [ProLite B2483HSU-W5](#)



**Flicker-free + Blue light**

The ultimate solution for the comfort and health of your eyes. Flicker-free monitors with the blue light reducer function substantially reduce the strain and fatigue caused by flickering and blue light emittance of regular monitors.



**HAS + Pivot**

With a height adjustable stand you will create an ergonomic work posture and position that meets all health and safety requirements. This will not only prevent any health issues but will also increase your productivity. The pivot function allows the screen to rotate from landscape to portrait orientation. This functionality can be useful if the application requires more height than width.

## 01 DISPLAY CHARACTERISTICS

Diagonal	24", 61cm
Panel	TN LED, matte finish
Native resolution	1920 x 1080 @75Hz (HDMI&DisplayPort, 2.1 megapixel Full HD)
Aspect ratio	16:9
Panel brightness	250 cd/m <sup>2</sup>
Static contrast	1000:1
Advanced contrast	80M:1
Response time (GTG)	1ms
Viewing zone	horizontal/vertical: 170°/160°, right/left: 85°/85°, up/down: 80°/80°
Colour support	16.7mIn (sRGB: 99%; NTSC: 72%)
Horizontal Sync	31 - 85kHz
Viewable area W x H	531.4 x 298.9mm, 20.9 x 11.8"
Pixel pitch	0.277mm
Colour	matte, black

## 02 INTERFACES / CONNECTORS / CONTROLS

Signal input	VGA x1 HDMI x1 DisplayPort x1
USB HUB	x2 (v. 2.0)
HDCP	yes
Headphone connector	yes

## 03 FEATURES

Blue light reducer	yes
Flicker free	yes
OSD languages	EN, DE, FR, ES, IT, RU, JP, CZ, NL, PL
Control buttons	Power, Menu/ Select, Scroll up/ Volume, Scroll down/ ECO, Exit, Input Select
User controls	Auto adjust, picture adjust (brightness, contrast, ECO, Blue Light Reducer, ACR, OD), geometry (H. position, V. position, pixel clock, phase), colour settings (colour temp., user preset, i-style colour), OSD (OSD H. position, OSD V. position, OSD rotate, OSD time), language, recall , miscellaneous (sharp and soft, video mode adjust, opening logo, display information), input select (input source), audio settings (volume, mute, audio input)
Speakers	2 x 1W
Convenience	Kensington-lock™ prepared, DDC2B, Mac OSX

## 04 MECHANICAL

Display position adjustments	height, pivot (rotation), swivel, tilt
Height adjustment	130mm
Rotation (PIVOT function)	90°
Swivel stand	90°; 45° left; 45° right
Tilt angle	22° up; 5° down
VESA mounting	100 x 100mm

## 05 ACCESSORIES INCLUDED



Cables	power, USB, HDMI
Other	quick start guide, safety guide

## 06 POWER MANAGEMENT

Power supply unit	internal
Power supply	AC 100 - 240V, 50/60Hz
Power usage	18W typical, 0.5W stand by, 0.5W off mode

## 07 SUSTAINABILITY

Regulations	TCO, CE, TÜV-GS, EAC, VCCI-B, PSE, RoHS support, ErP, ENERGY STAR®, WEEE, EPEAT, REACH
-------------	--

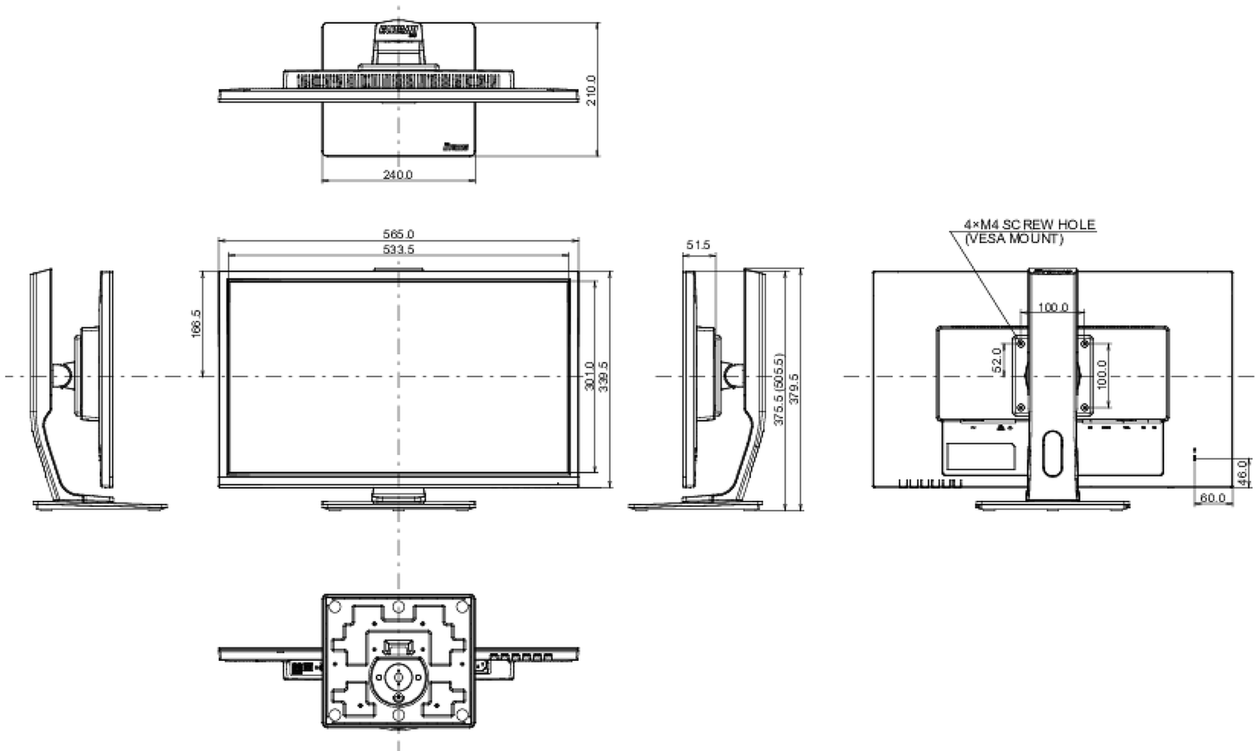
Energy efficiency class (Regulation (EU) 2017/1369)	E
---	---

EPEAT Bronze	EPEAT is a comprehensive environmental rating that helps identify greener computers and other electronic equipment. The Bronze certification means the monitor meets all required criteria. EPEAT Bronze is valid in countries where iiyama registers the product. Please visit <a href="http://www.epeat.net">www.epeat.net</a> for the registration status in your country.
--------------	---

REACH SVHC	above 0.1%: Lead
------------	------------------

## 08 DIMENSIONS / WEIGHT

Product dimensions W x H x D	565.5 x 375.5 (505.5) x 210mm
Weight (without box)	5.1kg
EAN code	4948570117376



*All trademarks and registered trademarks acknowledged. E & O E. Specification subject to change without notice. All LCD's comply with ISO-9241-307:2008 in connection with pixel defects.*

© IIYAMA CORPORATION. ALL RIGHTS RESERVED



**24" IPS panel technology with ultra-flat front and height adjustable stand**

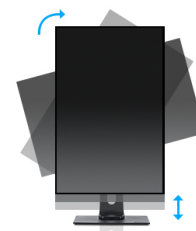
Stylish edge-to-edge design makes the ProLite XUB2493HSU perfect for multi-monitor set-ups. The IPS panel technology offers accurate and consistent colour reproduction with wide viewing angles. High contrast and brightness values mean the monitor will provide excellent performance for photographic and web design, and the height adjustable stand ensures you can easily adjust the screen position to your preferences. It is a great choice for both multi-monitor Digital Signage and office applications.

Available also with fixed stand: [ProLite XU2493HSU-B1](#)



IPS Technology

IPS displays are best known for wide viewing angles and natural, highly accurate colours. They are especially suited for colour-critical applications.



HAS + Pivot

With a height adjustable stand you will create an ergonomic work posture and position that meets all health and safety requirements. This will not only prevent any health issues but will also increase your productivity. The pivot function allows the screen to rotate from landscape to portrait orientation. This functionality can be useful if the application requires more height than width.

## 01 DISPLAY CHARACTERISTICS

Design	ultra slim
Diagonal	23.8", 60.5cm
Panel	IPS panel technology LED, matte finish
Native resolution	1920 x 1080 @75Hz (DisplayPort&HDMI, 2.1 megapixel Full HD)
Aspect ratio	16:9
Panel brightness	250 cd/m <sup>2</sup>
Static contrast	1000:1
Advanced contrast	80M:1
Response time (GTG)	4ms
Viewing zone	horizontal/vertical: 178°/178°, right/left: 89°/89°, up/down: 89°/89°
Colour support	16.7mIn (sRGB: 96%; NTSC: 72%)
Horizontal Sync	30 - 84kHz
Viewable area W x H	527.0 x 296.5mm, 20.7 x 11.7"
Pixel pitch	0.275mm
Colour	matte, black

## 02 INTERFACES / CONNECTORS / CONTROLS

Signal input	VGA x1 (1920 x 1080 @60Hz) HDMI x1 (1920 x 1080 @75Hz) DisplayPort x1 (1920 x 1080 @75Hz)
USB HUB	x2 (v. 2.0)
HDCP	yes
Headphone connector	yes

## 03 FEATURES

Blue light reducer	yes
Flicker free	yes
Extra	i-style Colour
OSD languages	EN, DE, FR, ES, IT, PT, RU, JP, NL, PL
Control buttons	Signal / Auto Adjust, + / Volume, - / Eco, Menu, Power
User controls	picture adjust (contrast, brightness, i-Style Colour, adv. contrast, Eco, OD, X-Res technology), image settings (auto adjust, pixel clock, phase, H. position, V. position, sharp and soft, aspect), colour settings (gamma, 6-axis, colour temperature), OSD (OSD H. position, OSD V. position, OSD time, language), extra (reset, DDC/CI, signal select, audio source, HDMI range, opening logo, LED, information, volume)
Speakers	2 x 2W
Convenience	Kensington-lock™ prepared, DDC/CI, DDC2B, Mac OSX

## 04 MECHANICAL

Display position adjustments	height, pivot (rotation), swivel, tilt
Height adjustment	130mm
Rotation (PIVOT function)	90°
Swivel stand	90°; 45° left; 45° right
Tilt angle	22° up; 5° down
VESA mounting	100 x 100mm

## 05 ACCESSORIES INCLUDED

Cables	power, USB, HDMI
Other	quick start guide, safety guide

## 06 POWER MANAGEMENT

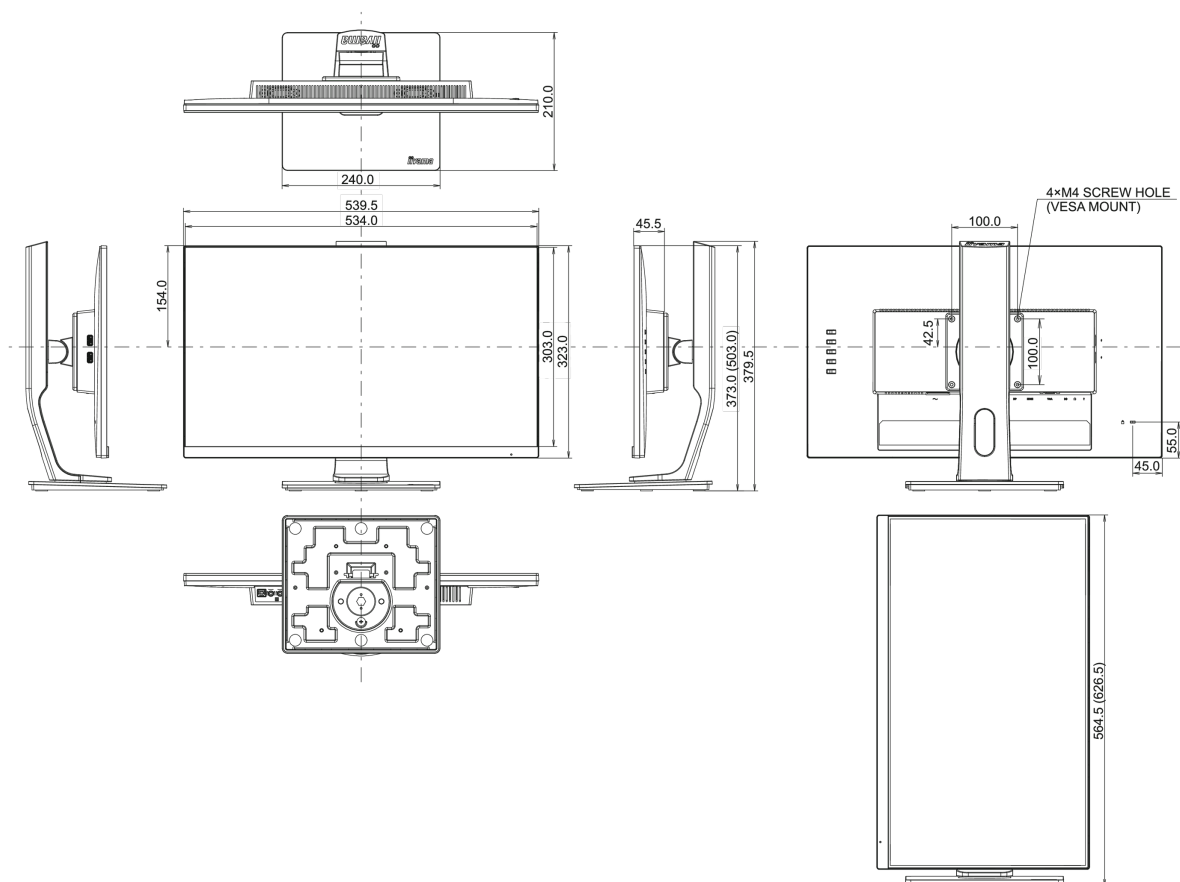
Power supply unit	internal
Power supply	AC 100 - 240V, 50/60Hz
Power usage	19W typical, 0.5W stand by, 0.5W off mode

## 07 SUSTAINABILITY

Regulations	CE, TÜV-Bauart, EAC, VCCI-B, PSE, RoHS support, ErP, WEEE, REACH
Energy efficiency class (Regulation (EU) 2017/1369)	F
REACH SVHC	above 0.1%: Lead

## 08 DIMENSIONS / WEIGHT

Product dimensions W x H x D	539.5 x 373 (503) x 210mm
Box dimensions W x H x D	682 x 418 x 190mm
Weight (without box)	4.8kg
EAN code	4948570117505







**24" WQHD monitor with IPS panel and height adjustable stand**

Stylish edge-to-edge design makes the ProLite XUB2493QSU perfect for multi-monitor set-ups. The IPS panel technology offers accurate and consistent colour reproduction with wide viewing angles. High contrast and brightness values mean the monitor will provide excellent performance for photographic and web design, and the height adjustable stand ensures you can easily adjust the screen position to your preferences. The XUB2493QSU offers WQHD (2560 x 1440) resolution meaning the screen can accommodate almost 77% more information than a Full HD display. It is a great choice for both multi-monitor Digital Signage and office applications.

Available also with fixed stand: [ProLite XU2493HSU-B1](#)



WQHD

With true WQHD 2560 x 1440p resolution your monitor is ready to display high definition images. This means you can accommodate more information on your screen, i.e. over 76% more in comparison to a 1920 x 1080 monitor.



IPS Technology

IPS displays are best known for wide viewing angles and natural, highly accurate colours. They are especially suited for colour-critical applications.

## 01 DISPLAY CHARACTERISTICS

Design	3-side borderless
Diagonal	23.8", 60.5cm
Panel	IPS LED, matte finish, haze 25%
Native resolution	2560 x 1440 @60Hz (2.3 megapixel WQHD)
Aspect ratio	16:9
Panel brightness	300 cd/m <sup>2</sup>
Static contrast	1000:1
Advanced contrast	80M:1
Response time (GTG)	4ms
Viewing zone	horizontal/vertical: 178°/178°, right/left: 89°/89°, up/down: 89°/89°
Colour support	16.7mIn (sRGB: 96%; NTSC: 72%)
Horizontal Sync	15 - 90kHz
Viewable area W x H	526.9 x 296.4mm, 20.7 x 11.7"
Pixel pitch	0.2058mm
Colour	matte, black

## 02 INTERFACES / CONNECTORS / CONTROLS

Signal input	HDMI x1 DisplayPort x1
USB HUB	x3 (v. 3.0 x2 (DC5V, 900mA) & v. 2.0 x1 (DC5V, 500mA))
HDCP	yes
Headphone connector	yes

## 03 FEATURES

Blue light reducer	yes
Flicker free	yes
Extra	i-style Colour
OSD languages	EN, DE, FR, ES, IT, RU, JP, CZ, NL, PL
Control buttons	Power, Menu, Enter, Up / Volume, Down / ECO, Exit / i-Style, Input
User controls	picture adjust (brightness, contrast, ECO, blue light reducer, ACR, OD, gamma, X-Res technology), colour settings (colour temperature, user preset, hue, saturation, i-Style colour), OSD (OSD H. position, OSD V. position, OSD rotate, OSD time, after AC cut), language, recall, miscellaneous (sharp and soft, video mode adjust, opening logo, DDC/CI, RGB range, information), input select (input source), audio settings (volume, mute)
Speakers	2 x 2W
Convenience	Kensington-lock™ prepared, DDC/CI, DDC2B, Mac OSX

## 04 MECHANICAL

Display position adjustments	height, swivel, tilt, pivot (rotation both sides)
Height adjustment	130mm
Rotation (PIVOT function)	90°
Swivel stand	90°; 45° left; 45° right
Tilt angle	23° up; 5° down
VESA mounting	100 x 100mm



## 05 ACCESSORIES INCLUDED

Cables	power, USB, HDMI, DP
Other	quick start guide, safety guide

## 06 POWER MANAGEMENT

Power supply unit	internal
Power supply	AC 100 - 240V, 50/60Hz
Power usage	17W typical, 0.5W stand by, 0.5W off mode

## 07 SUSTAINABILITY

Regulations	CE, TÜV-Bauart, EAC, PSE, RoHS support, ErP, WEEE, VCCI, REACH, ENERGY STAR®, UKCA
Energy efficiency class (Regulation (EU) 2017/1369)	D
REACH SVHC	above 0.1%: Lead

## 08 DIMENSIONS / WEIGHT

Product dimensions W x H x D	539.5 x 366 (496) x 210mm
Box dimensions W x H x D	680 x 400 x 190mm
Weight (without box)	5.9kg
Weight (with box)	7.7kg
EAN code	4948570118557

*All trademarks and registered trademarks acknowledged. E & O E. Specification subject to change without notice. All LCD's comply with ISO-9241-307:2008 in connection with pixel defects.*

© IIYAMA CORPORATION. ALL RIGHTS RESERVED



**A high-end 24” monitor featuring AMVA Panel technology**

ProLite X2483HSU-B3 - a 24” LED backlit LCD Screen featuring AMVA panel technology, guarantees accurate and consistent colour reproduction with wide viewing angles. Offering 24 bit ‘True Colour’ and great performance for displaying Black and White with the 3000:1 Native Contrast Ratio, means that the ProLite X2483HSU-B3 will provide excellent performance for Photographic, Design and Web-design. With the added support of a Low Power LED Panel, the iiyama ProLite X2483HSU-B3 is also an excellent choice for Universities, Corporate and Financial Markets.

Available also with height adjustable stand: [ProLite XB2483HSU-B3](#)



**Flicker-free + Blue light**

The ultimate solution for the comfort and health of your eyes. Flicker-free monitors with the blue light reducer function substantially reduce the strain and fatigue caused by flickering and blue light emittance of regular monitors.



**AMVA**

AMVA technology offers higher contrast, darker blacks and much better viewing angles than standard TN technology. The screen will look good no matter what angle you look at it.

## 01 DISPLAY CHARACTERISTICS

Diagonal	23.8", 60.5cm
Panel	AMVA LED, matte finish
Native resolution	1920 x 1080 @75Hz (HDMI&DisplayPort, 2.1 megapixel Full HD)
Aspect ratio	16:9
Panel brightness	250 cd/m <sup>2</sup>
Static contrast	3 000:1
Advanced contrast	80M:1
Response time (GTG)	4ms
Viewing zone	horizontal/vertical: 178°/178°, right/left: 89°/89°, up/down: 89°/89°
Colour support	16.7mIn 8bit (sRGB: 99%; NTSC: 72%)
Horizontal Sync	30 - 80kHz
Viewable area W x H	527 x 296.5mm, 20.7 x 11.7"
Pixel pitch	0.275mm
Colour	matte

## 02 INTERFACES / CONNECTORS / CONTROLS

Signal input	VGA x1 HDMI x1 DisplayPort x1
USB HUB	x2 (v.2.0)
HDCP	yes
Headphone connector	yes

## 03 FEATURES

Blue light reducer	yes
Flicker free	yes
OSD languages	EN, DE, FR, ES, IT, CN, RU, JP, CZ, NL, PL
Control buttons	Power, Menu/ Select, Scroll up/ Volume, Scroll down/ ECO, Exit, Input Select
User controls	picture adjust (contrast, brightness, OD, ACR, ECO, Blue Light Reducer), input select, audio adjust (volume, mute, digital audio), colour adjust, image adjust (auto adjust, H. position, V. position, clock, phase, sharpness, video mode adjust), language, setup (OSD position, OSD timeout, opening logo, auto power off), display information, reset
Speakers	2 x 2W
Convenience	Kensington-lock™ prepared, DDC2B, Mac OSX

## 04 MECHANICAL

Display position adjustments	tilt
Tilt angle	22° up; 5° down
VESA mounting	100 x 100mm

## 05 ACCESSORIES INCLUDED

Cables	power, USB, HDMI
Other	quick start guide, safety guide

## 06 POWER MANAGEMENT

Power supply unit	internal
Power supply	AC 100 - 240V, 50/60Hz
Power usage	26W typical, 0.33W stand by, 0.29W off mode

## 07 SUSTAINABILITY

Regulations	CE, TÜV-GS, EAC, VCCI-B, RoHS support, ErP, WEEE, REACH
Energy efficiency class (Regulation (EU) 2017/1369)	E
REACH SVHC	above 0.1%: Lead

## 08 DIMENSIONS / WEIGHT

Product dimensions W x H x D	552.5 x 406.5 x 203mm
Box dimensions W x H x D	622 x 410 x 120mm
Weight (without box)	3.9kg
EAN code	4948570115655

*All trademarks and registered trademarks acknowledged. E & O E. Specification subject to change without notice. All LCD's comply with ISO-9241-307:2008 in connection with pixel defects.*

© IIYAMA CORPORATION. ALL RIGHTS RESERVED



**24" Full HD monitor with VA panel and a height adjustable stand**

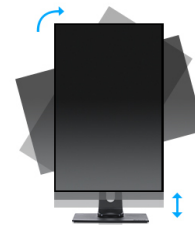
ProLite XB2474HS - a 24" LED backlit LCD Screen featuring VA panel technology, guarantees accurate and consistent colour reproduction with wide viewing angles. Triple input configuration (VGA, HDMI, DisplayPort) assures compatibility with many platforms. The monitor features a height adjustable stand with PIVOT function making it an excellent choice for Universities, Corporate and Financial Markets.

Available also with fixed stand: [ProLite X2474HS-B2](#)



VA matrix

VA panel technology offers higher contrast, darker blacks and much better viewing angles than standard TN technology. The screen will look good no matter what angle you look at it.



HAS + Pivot

With a height adjustable stand you will create an ergonomic work posture and position that meets all health and safety requirements. This will not only prevent any health issues but will also increase your productivity. The pivot function allows the screen to rotate from landscape to portrait orientation. This functionality can be useful if the application requires more height than width.

## 01 DISPLAY CHARACTERISTICS

Diagonal	23.6", 60cm
Panel	VA LED, matte finish
Native resolution	1920 x 1080 @75Hz (HDMI&DisplayPort, 2.1 megapixel Full HD)
Aspect ratio	16:9
Panel brightness	250 cd/m <sup>2</sup>
Static contrast	3000:1
Advanced contrast	80M:1
Response time (GTG)	4ms
Viewing zone	horizontal/vertical: 178°/178°, right/left: 89°/89°, up/down: 89°/89°
Colour support	16.7mIn (sRGB: 99%; NTSC: 72%)
Horizontal Sync	30 - 80kHz
Viewable area W x H	521.3 x 293.2mm, 20.5 x 11.5"
Pixel pitch	0.272mm
Colour	matte

## 02 INTERFACES / CONNECTORS / CONTROLS

Signal input	VGA x1 (max.1920 x 1080 @60Hz) HDMI x1 (max.1920 x 1080 @75Hz) DisplayPort x1 (max.1920 x 1080 @75Hz)
HDCP	yes
Headphone connector	yes

## 03 FEATURES

Blue light reducer	yes
Flicker free	yes
OSD languages	EN, DE, FR, ES, IT, PT, RU, JP, NL, PL
Control buttons	Power, Menu, Scroll up/ Volume, Scroll down/ Eco, Input
User controls	picture adjust (contrast, brightness, i-style Colour, ACR, ECO, OD, X-Res Technology), image settings (auto adjust, pixel clock, phase, H. position, V. position, aspect ratio), color settings (gamma, 6-Axis, color temp.), OSD (OSD H. position, OSD V. position, OSD time, language), extra (reset, DDC/CI, signal select, audio source, HDMI range, opening logo, LED, information)
Speakers	2 x 2W
Convenience	Kensington-lock™ prepared, DDC/CI, DDC2B, Mac OSX

## 04 MECHANICAL

Display position adjustments	height, swivel, tilt, pivot (rotation both sides)
Height adjustment	130mm
Rotation (PIVOT function)	90°
Swivel stand	90°; 45° left; 45° right
Tilt angle	21° up; 2° down
VESA mounting	100 x 100mm

## 05 ACCESSORIES INCLUDED

Cables	power, HDMI
--------	-------------

Other	quick start guide, safety guide
-------	---------------------------------

## 06 POWER MANAGEMENT

Power supply unit	internal
Power supply	AC 100 - 240V, 50/60Hz
Power usage	26.8W typical, 0.4W stand by, 0.36W off mode

## 07 SUSTAINABILITY

Regulations	CE, TÜV-Bauart, EAC, RoHS support, ErP, WEEE, REACH
Energy efficiency class (Regulation (EU) 2017/1369)	F
REACH SVHC	above 0.1%: Lead

## 08 DIMENSIONS / WEIGHT

Product dimensions W x H x D	546 x 373 (503) x 210mm
Weight (without box)	5.3kg
EAN code	4948570116690

*All trademarks and registered trademarks acknowledged. E & O E. Specification subject to change without notice. All LCD's comply with ISO-9241-307:2008 in connection with pixel defects.*

© IIYAMA CORPORATION. ALL RIGHTS RESERVED



### High-end 24" VA monitor featuring height adjustable stand

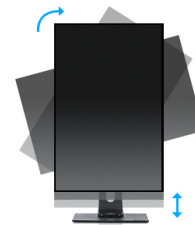
ProLite XB2481HS - a 24" LED backlit LCD Screen featuring VA panel technology, guarantees accurate and consistent colour reproduction with wide viewing angles. Offering 3000:1 Native Contrast Ratio, the ProLite XB2481HS provides excellent performance for Photographic, Design and Web-design. The monitor features a height adjustable stand with PIVOT function making it also an excellent choice for Universities, Corporate and Financial Markets.

Available also with fixed stand: [ProLite X2481HS-B1](#)



VA matrix

VA panel technology offers higher contrast, darker blacks and much better viewing angles than standard TN technology. The screen will look good no matter what angle you look at it.



HAS + Pivot

With a height adjustable stand you will create an ergonomic work posture and position that meets all health and safety requirements. This will not only prevent any health issues but will also increase your productivity. The pivot function allows the screen to rotate from landscape to portrait orientation. This functionality can be useful if the application requires more height than width.



## 01 DISPLAY CHARACTERISTICS

Diagonal	23.6", 60cm
Panel	VA LED, matte finish
Native resolution	1920 x 1080 (2.1 megapixel Full HD)
Aspect ratio	16:9
Panel brightness	250 cd/m <sup>2</sup>
Static contrast	3000:1
Advanced contrast	12M:1
Response time (GTG)	6ms
Viewing zone	horizontal/vertical: 178°/178°, right/left: 89°/89°, up/down: 89°/89°
Colour support	16.7mIn (sRGB: 99%; NTSC: 72%)
Horizontal Sync	24 - 80kHz
Viewable area W x H	521.28 x 293.22mm, 20.5 x 11.5"
Pixel pitch	0.2715mm
Colour	matte

## 02 INTERFACES / CONNECTORS / CONTROLS

Signal input	VGA x1 DVI x1 HDMI x1
HDCP	yes

## 03 FEATURES

Blue light reducer	yes
OSD languages	EN, DE, FR, ES, IT, PT, CN, RU, JP
Control buttons	Power, Menu, +/-Volume/Blue Light Reducer, -, Auto
User controls	luminance (contrast, brightness, ECO, i-style Colour, ACR), image steep (clock, phase, H. position, V. position, aspect), colour (gamma, colour temperature, sRGB), OSD setup (H. position, V. position, OSD time out, language), extra (reset, signal select, HDMI audio, OD, information), volume, auto adjust
Speakers	2 x 2W
Convenience	Kensington-lock™ prepared, DDC2B, Mac OSX

## 04 MECHANICAL

Display position adjustments	height, pivot (rotation), swivel, tilt
Height adjustment	130mm
Rotation (PIVOT function)	90°
Swivel stand	90°; 45° left; 45° right
Tilt angle	22° up; 5° down
VESA mounting	100 x 100mm

## 05 ACCESSORIES INCLUDED

Cables	power, DVI, Audio
Other	quick start guide, safety guide

## 06 POWER MANAGEMENT

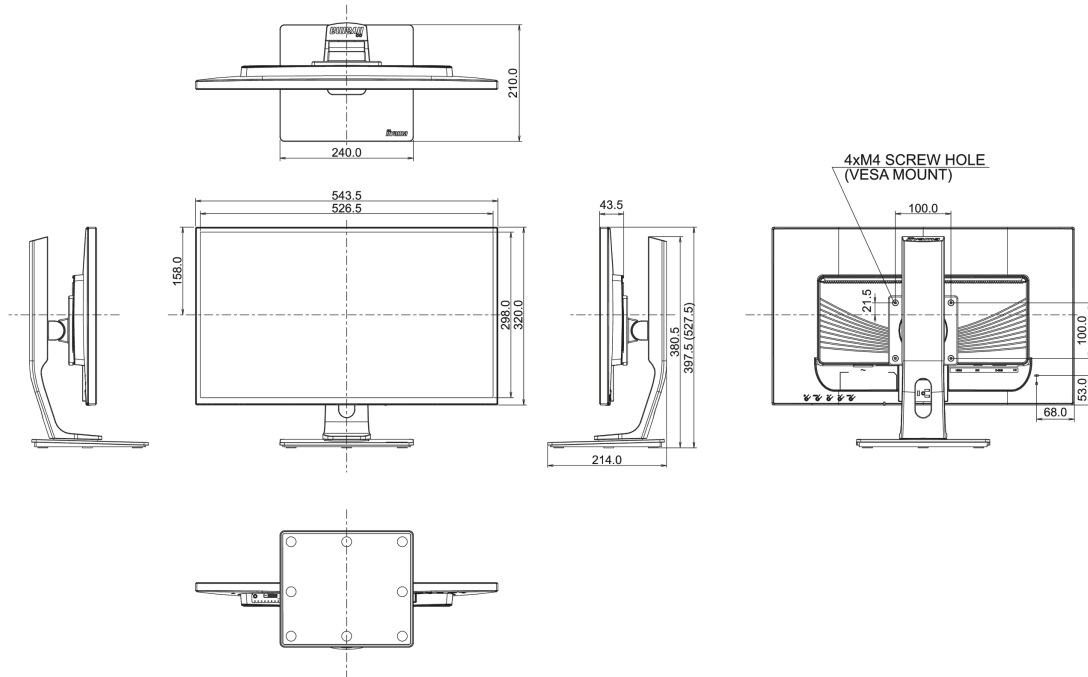
Power supply unit	internal
Power supply	AC 100 - 240V, 50/60Hz
Power usage	25W typical, 0.3W stand by, 0.25W off mode

## 07 SUSTAINABILITY

Regulations	CE, TÜV-GS, RoHS support, ErP, WEEE, CU, REACH
Energy efficiency class (Regulation (EU) 2017/1369)	F
REACH SVHC	above 0.1%: Lead

## 08 DIMENSIONS / WEIGHT

Product dimensions W x H x D	543.5 x 397.5 (527.5) x 210mm
Weight (without box)	5.4kg
EAN code	4948570113583



All trademarks and registered trademarks acknowledged. E & O E. Specification subject to change without notice. All LCD's comply with ISO-9241-307:2008 in connection with pixel defects.

© IIYAMA CORPORATION. ALL RIGHTS RESERVED