

Rugged Tablet

- TB170 -



Quick Start Guide

V1.1

Package

Please make sure the following contents are in the TB170 gift box.

If something is missing or damaged, please contact your Unitech representative.

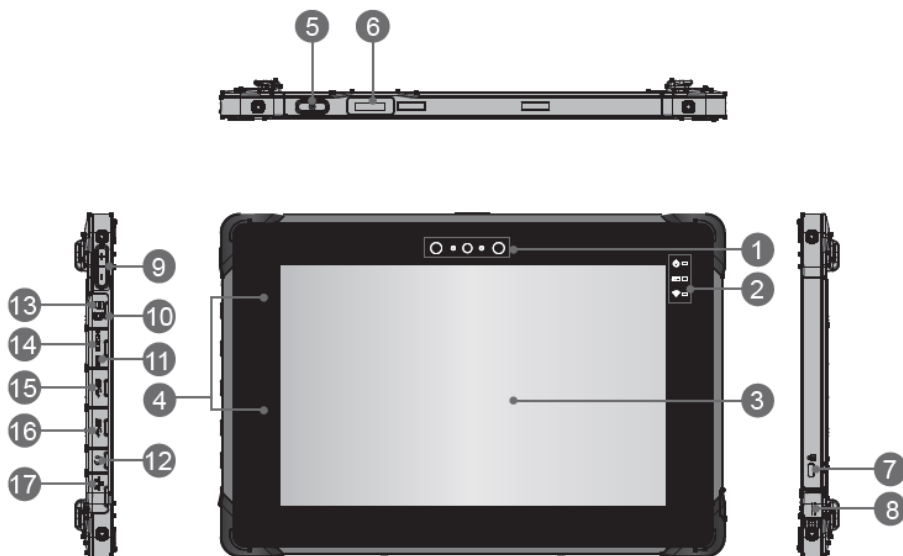
Package Contents

- Tablet PC
- AC/DC adaptor and AC Power Cord (US)
- Battery Pack
- Quick Start Guide

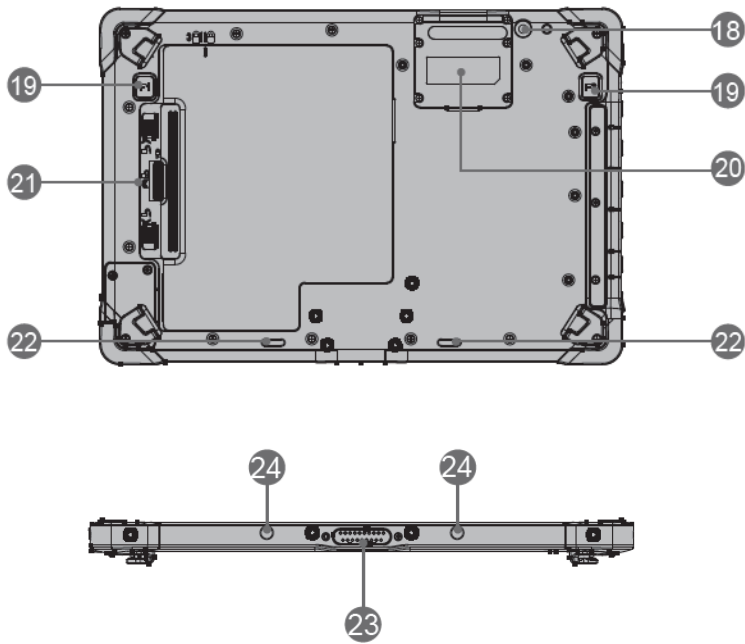
Optional Accessories

- Hand Strap
- Shoulder Strap
- EETI Digitizer Pen, B-type
- Brief Case Handle
- Office Dock (by project based)
- Vehicle Dock (by project based)

Product View



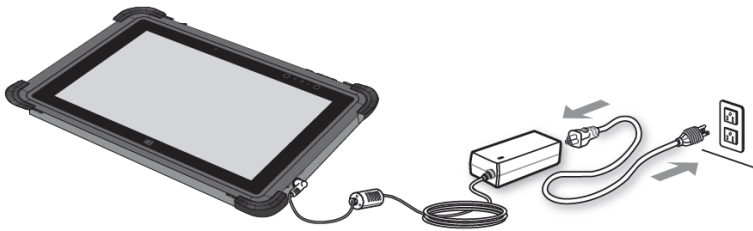
1	Front Camera
2	Status LED
3	Touch Screen
4	Internal Microphone
5	Power Button
6	Barcode scanner (optional)
7	Kensington Lock
8	DC-in Jack
9	Volume Up / Volume Down Button
10	Nano SIM Card Reader
11	Reset Hole
12	Headphone Jack
13	Micro SD Card Reader
14	Micro HDMI Port
15	USB 3.1 Type A x 1
16	USB 3.1 Type C x 1
17	RJ-45 Connector



18	Rear Camera
19	Fn Function
20	LTE & Barcode assembly door
21	Battery latch
22	Speaker
23	Dock Connector
24	Boss Hole

Getting Started

Before starting to use the tablet, we would like to suggest you follow the illustrations below to begin to use the tablet.



CAUTION!

- Please fully charge the battery before using it for the first time.
- To ensure the unit working properly, please keep all connectors away from the contaminants staying inside of them such as dust, grease, mud, and water. The negligence may cause the unit with no communication, short circuited, overheated and so on.
- If the connector is damaged, please ensure the connector is being fully repaired before using the unit to avoid causing short circuited.



<http://www.ute.com/>

Copyright 2022 Unitech Electronics Co., Ltd. All rights reserved.
Unitech is a registered trademark of Unitech Electronics Co., Ltd.

Status LED	
	<p>Power</p> <ul style="list-style-type: none"> • LED glows when the tablet is turned on. • LED flashes when the tablet goes to the sleep state. • LED goes off when the tablet is turned off.
	<p>Wireless LAN (Wi-Fi)</p> <ul style="list-style-type: none"> • LED glows when WLAN (WiFi) function is enabled. • LED goes off when this function is disabled.
	<p>Battery Status</p> <ul style="list-style-type: none"> • LED glows when the battery is being charged. • LED goes out when the battery is fully charged or when the AC/DC adapter is disconnected. • LED blinks slowly when battery capacity is under 7%. • LED blinks fast when battery error.