



**Stand Components, MLPN 46-00147**

- a. 1/4" – 20 x 3/8" Flat Head ..... Qty. 2  
 Phillips, 82° Undercut
- b. Scanner Cradle ..... Qty. 1
- c. Flexible Shaft Cover ..... Qty. 1
- d. Flexible Shaft ..... Qty. 1
- e. Stand Base..... Qty. 1
- f. #8 Round Head Wood Screw .... Qty. 2

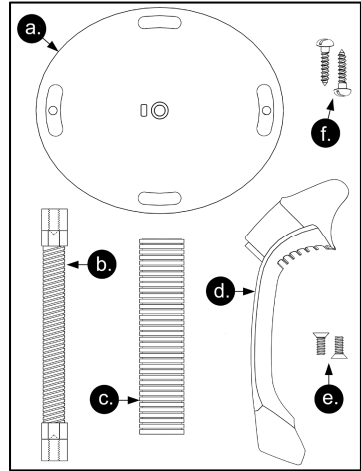


Figure 1. Stand Components

**Hard Mounting the Stand (Optional)**

Metrologic provides two #8 wood screws for securing the stand base to the counter top. The following figure provides the pilot hole dimensions for securing the stand base.

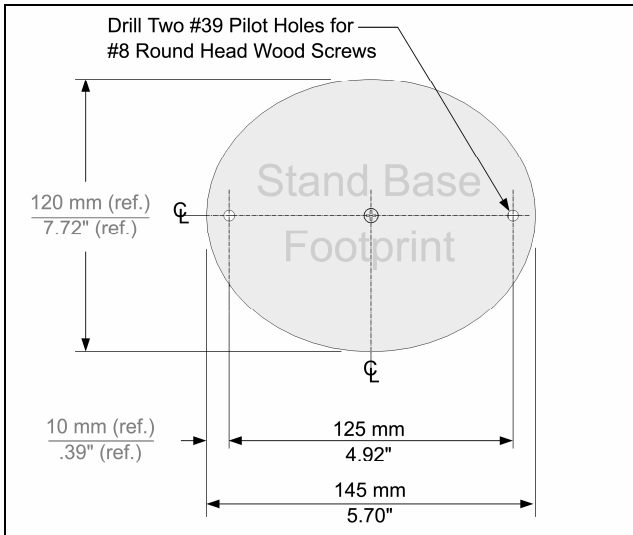


Figure 2. Stand Base Hole Pattern (Not to Scale)

# STAND INSTALLATION GUIDE

## Assembling the Stand

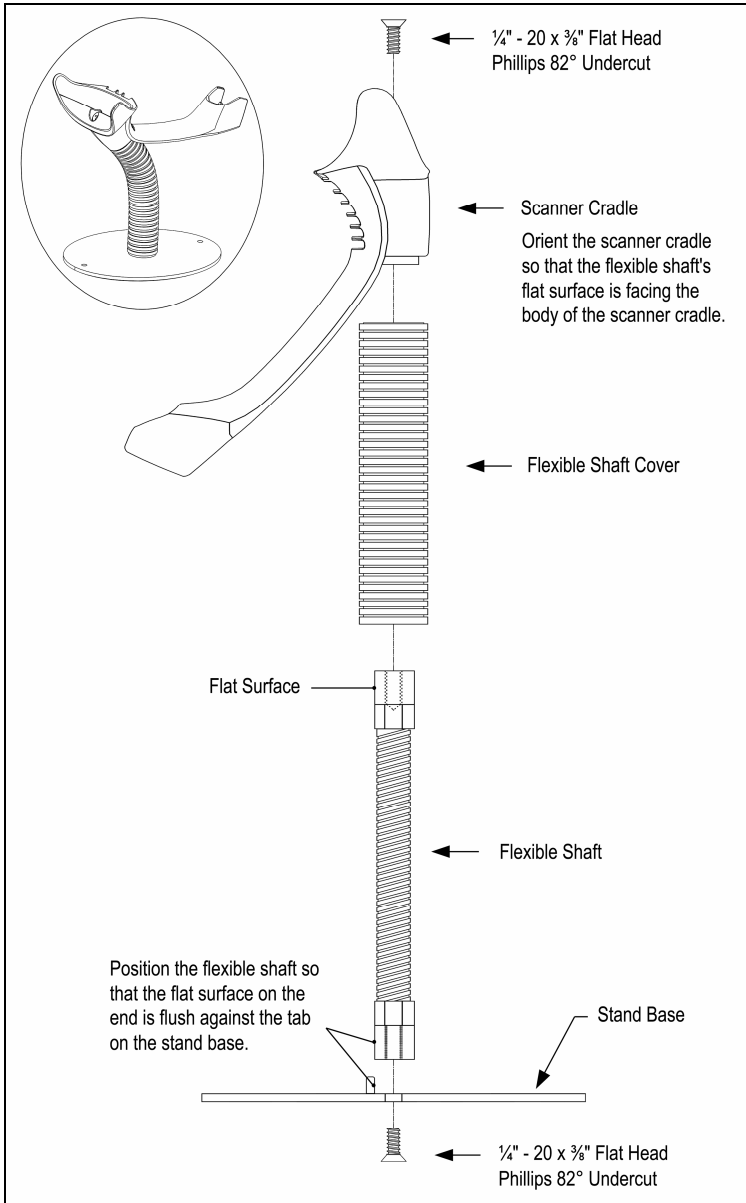


Figure 3. Assembling the Stand