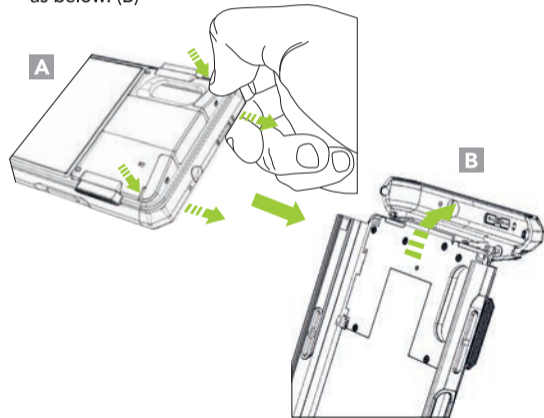
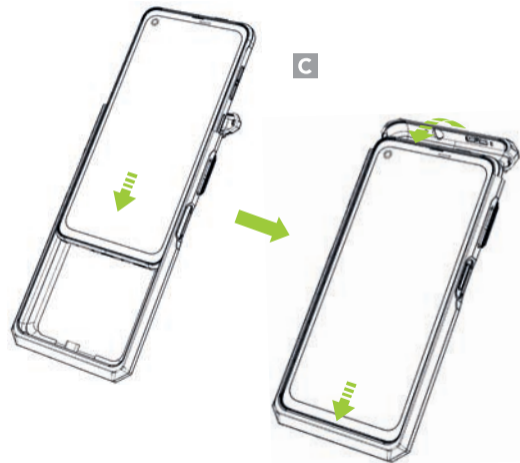


Assembly Instructions

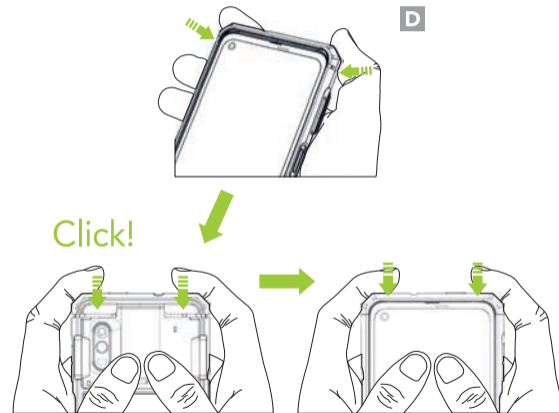
1. Place your fingernails in the grooves on both sides of the SKXPro rear top cover and pull the top cover away from the SKXPro. (A) Then, flip the top cover back as shown as below. (B)



2. Slide the XCover Pro into the SKXPro and flip the top cover forward as shown. (C)



3. Align the top cover with the body of the SKXPro and close it by pressing both sides from the back until you hear a click. Press both sides of the top cover once again from the front. (D)



Additional Accessories

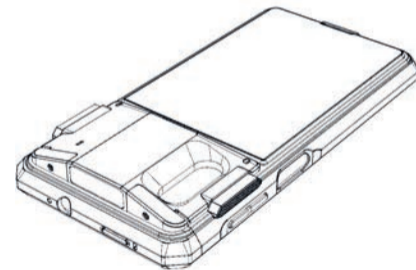
- ▶ 0.5W UHF Reader Companion
- ▶ 1.0W UHF Reader Companion
- ▶ 2000mAh Extended Battery Companion
- ▶ Pistol Grip Companion (battery optional)
- ▶ SKXPro 1-Slot Charging Cradle
- ▶ SKXPro 5-Slot Charging Cradle
- ▶ XCover Pro 1-Slot Charging Cradle
- ▶ XCover Pro 5-Slot Charging Cradle

KOAMTAC

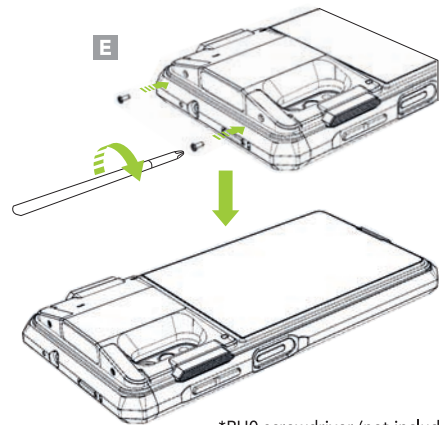
116 Village Blvd, Ste 305, Princeton, NJ 08540
+1 609-256-4700 [p](#) | +1 609-228-4373 [f](#)
info@koamtac.com | www.koamtac.com

KOAMTAC

SKXPro
Assembly Manual



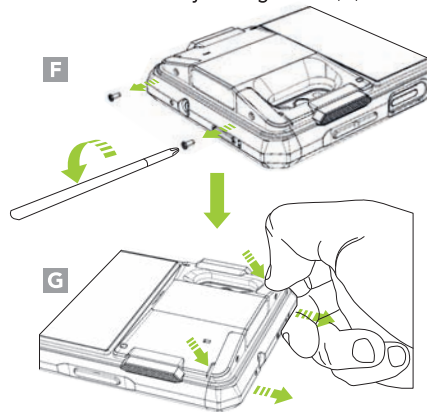
4. Using the provided screws, tighten the top cover via the screw holes on both sides of the scanner. (E)



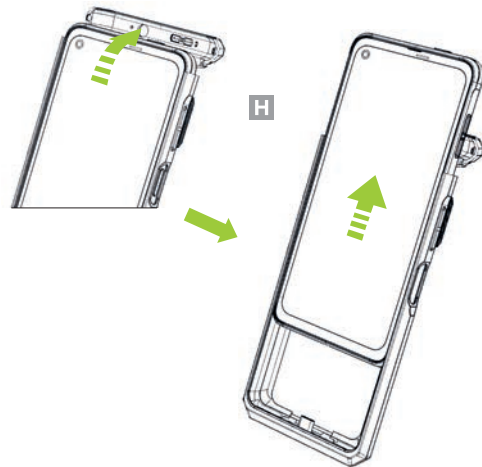
*PH0 screwdriver (not included) is necessary to complete assembly.

Removing XCover Pro

1. Remove the screws on both sides of the scanner (F) and remove the top cover by pressing the grooves on both sides of the SKXPro with your fingernails. (G)

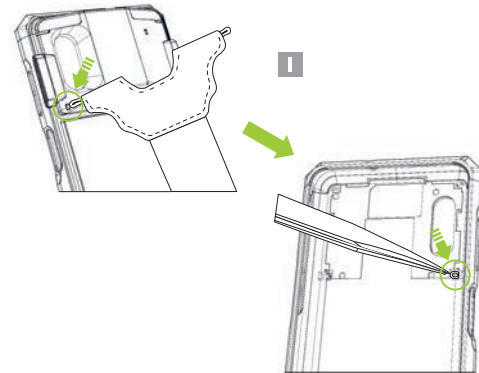


2. Flip the top cover back and slide out the XCover Pro as shown. (H)



Hand Strap Assembly Instructions

1. Slide the hand strap's left elastic band through the left strap hole of the SKXPro. Use tweezers to fasten the left elastic band to the plastic tab inside the SKXPro. (I) Repeat the process with the hand strap's right elastic band.



2. Loop the hand strap band through the slot on the bottom of SKXPro and attach the hook and loop band to itself. (J)

