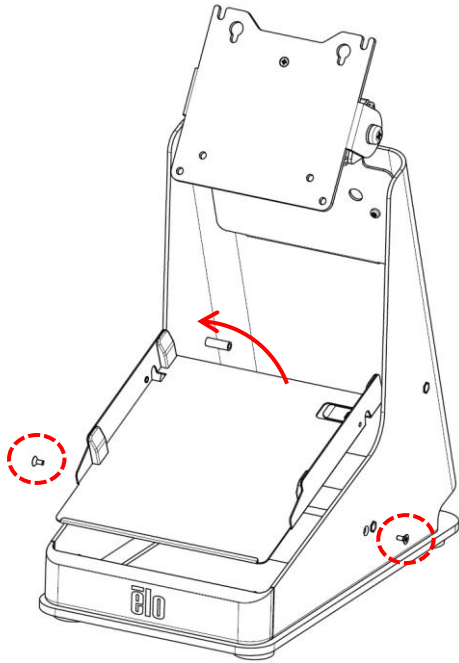
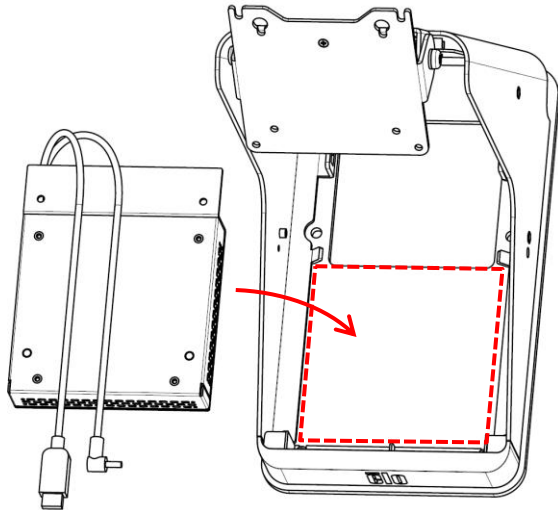


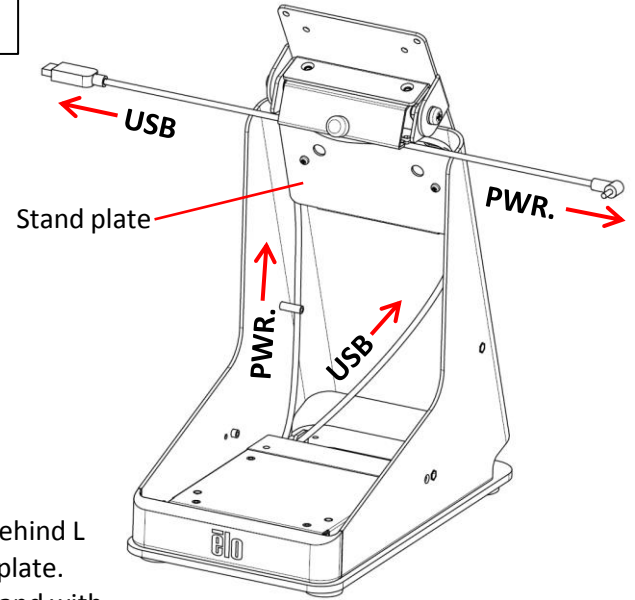
**INSTALLATION INSTRUCTIONS:
E353950 / E353758 mPOS PRINTER STAND
WITH
E923781 EXPANSION MODULE**



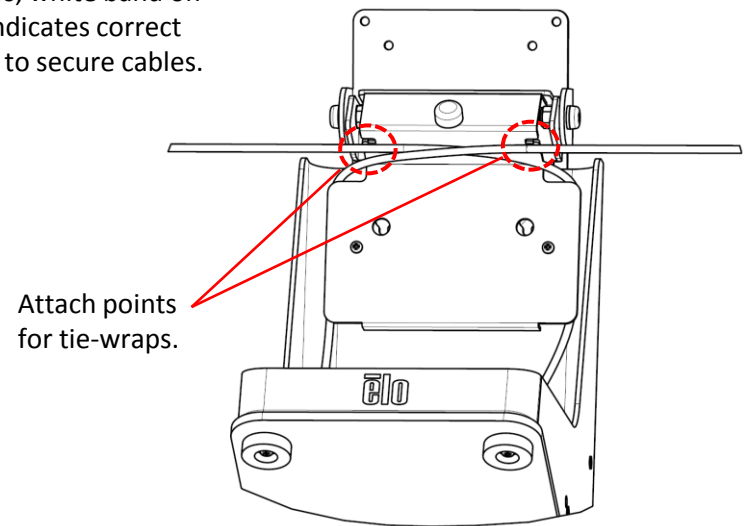
1- Remove (2) screws (L & R side) and pull out printer tray. Keep screws for re-assembly.



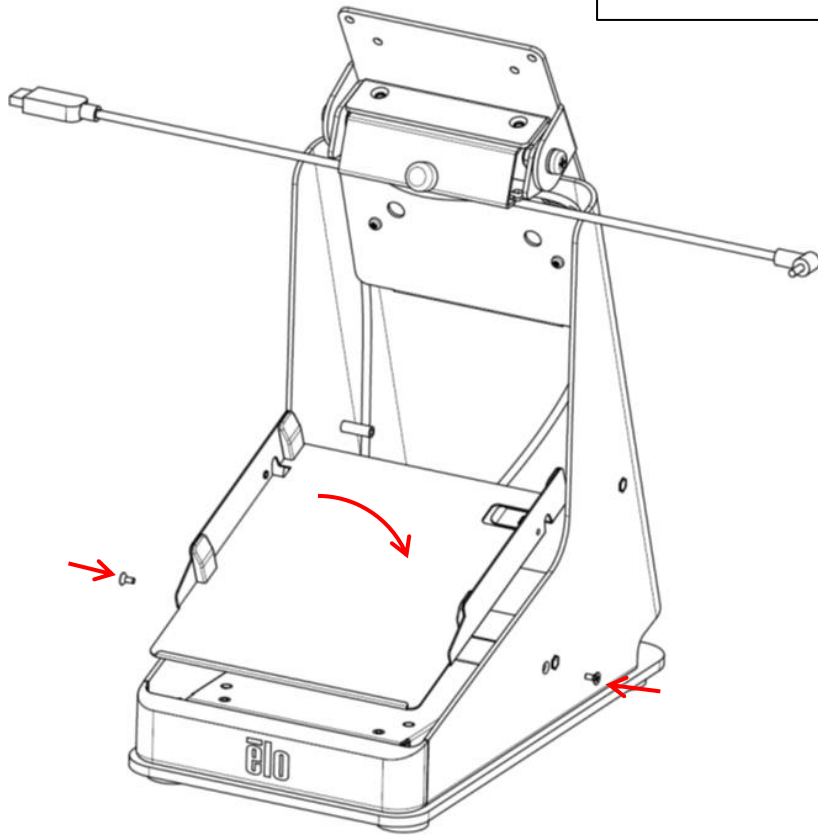
2- Place Expansion Module into base.



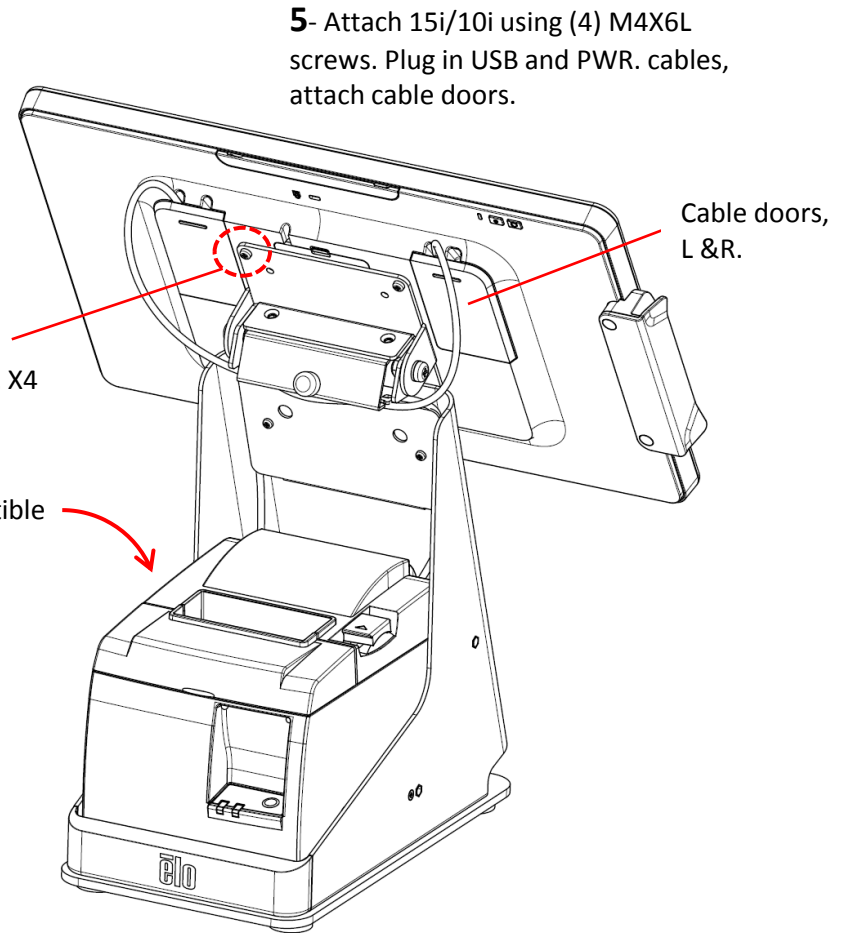
3 – Route cables behind L & R sides of stand plate. Secure cables to stand with tie-wraps; white band on cables indicates correct location to secure cables.



**INSTALLATION INSTRUCTIONS:
E353950 / E353758 mPOS PRINTER STAND
WITH
E923781 EXPANSION MODULE**



4- Re-assemble printer tray using (2) screws, L & R side.



5- Attach 15i/10i using (4) M4X6L screws. Plug in USB and PWR. cables, attach cable doors.

M4X6L
Screws, X4

Cable doors,
L & R.

6- Insert compatible printer.