

The OPD 7124 hand held 2D gun with Bluetooth connectivity relieves users from the restriction caused by cables. They will be freer to work more efficiently within their work-space. Even when out of radio range, the OPD 7124 can continue to capture data. Thanks to it's built-in memory, barcodes can be stored, and once Bluetooth communication is re-established, the data captured can be automatically released from it's buffer to the host computer.

2D

OPD 7124

Handheld 2D gun reader with Bluetooth interface



Features

- Bluetooth interface
- Lightweight Gun shape with Trigger
- Auto detection for Bluetooth operation range
- Out of Range Data Buffering
- Serial (RS232C) and USB Interfaces

Benefits

- Low cost, reliable wireless communication
- Ease to use, even for prolonged periods
- Increases operator confidence
- Work doesn't stop when communication is lost
- Straightforward interfacing with existing systems

Cabled

Wireless

Stationary

OEM

OPTICON
always scanning for new ID's

OPD 7124 Handheld 2D gun reader with Bluetooth interface

Electrical specifications

Main battery pack: Li-Ion rechargeable 1700 mAh
Main battery pack operating time: 20 hours
Charging method: by cradle (CRD 7124)

Optical specifications

Light source: 4 red LEDs 630 nm
Scan method: CMOS area sensor (monochrome)
Target indicator: 2 Red LED pointers
Reading pitch angle: LD/HD: -65 - 0°, 0 - +65°
Reading skew angle: LD: -75 - 0°, 0 - +75° / HD: -70 - 0°, 0 - +70°
Reading rotation angle: LD/HD: 360°
Curvature: R>15 (EAN8), R>20 (EAN13)
Min. Resolution at PCS 0.9: LD: 0.127 mm, 5 mil (Code 39/PDF 417), HD: 0.1mm, 3.9 mil (Code 39) 0.127mm, 5 mil (PDF 417)
Min. PCS value: 0.45
LD: 41 - 241 mm / 1.61 - 9.48 inches (Res. 0.254), 52 - 124 mm / 2.04 x 4.88 inches (Res. 0.127), HD: 39 - 127 mm / 1.53 - 5.00 inches (Res. 0.254), 31 - 98 mm / 1.22 x 3.85 inches (Res. 0.127), at PCS 0.9, PDF417
Field of view: LD: horizontal: 31°, vertical: 23° / HD: horizontal: 30°, vertical: 22°

Identification

Supported barcode symbologies (1D): JAN/UPC/EAN - UPC+2/+5 - EAN+2/+5 - NW-7 - Codabar - Code 39 - Code 93 - Code 128 - IATA - Industrial 2of5 - Interleaved 2of5 - RSS-14 (Standard/Truncated/Stacked/Stacked-Omnidirectional) - RSS Limited - RSS Expanded (Standard/Stacked) | Composite code: EAN-8(CC-A/CC-B) - EAN-13(CC-A/CC-B) - EAN-128(CC-A/CC-B/CC-C) - UPC-A(CC-A/CC-B) - UPC-E(CC-A/CC-B) - UCC(CC-A/CC-B/CC-C) - RSS-Expanded(CC-A/CC-B) - RSS-Limited(CC-A/CC-B)

Supported 2D code symbologies: Aztec Code - Aztec Runes - Data Matrix (ECC200/ECO-140) - Maxi Code (mode 2-5) - MicroPDF417 - PDF417 - QR code

Functionality

Trigger mode: Auto trigger
Memory FlashROM: 2 MB
Memory RAM: 8 MB

Communication specifications

Details: Frequency 2.4 GHz, Ver. 1.1 Classe 2
Profile: GAP, SPP
Operation range: 10 m
Connection mode: 1 to 1
Operation mode: Master
Low power mode: Sniff
Security mode: Authentication, Encryption

Environmental specifications

Temperature in operation: 0 - +50 °C / +32 - +122 F
Temperature in storage: -10 - +60 °C / +14 - +140 F
Humidity in operation: 5 - 95 % (non condensing)
Humidity in storage: 5 - 95 % (non condensing)
Ambient fluorescent light immunity: 10,000 lx max.
Ambient direct sun light immunity: 100,000 lx max.
Antistatic electricity: 15 kV (non destructive)
Shock drop test: 1.8 m drop onto concrete surface
Protection (dust and moisture, IEC529): IP 42

Physical specifications

Dimensions: 156 x 56 x 133 mm / 6.14 x 2.20 x 5.23 inches
Weight body: Ca. 185 g / 0.40 pounds

Regulatory

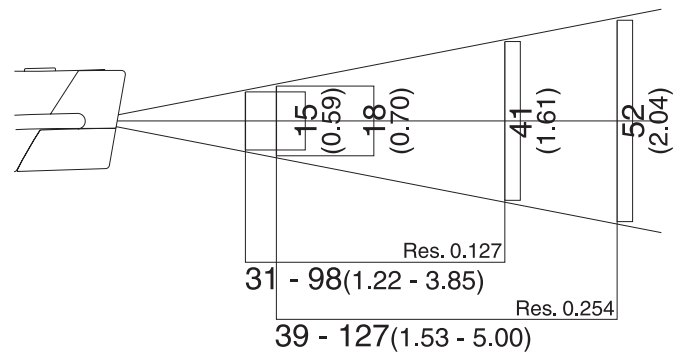
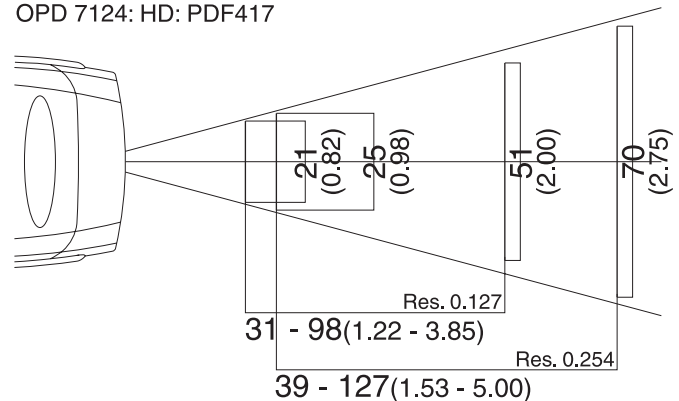
EMC: EN 55022, EN 55024
R&TTE: approved

Typical performance based on good quality symbols in normal room temperature and light conditions.

Depth of field

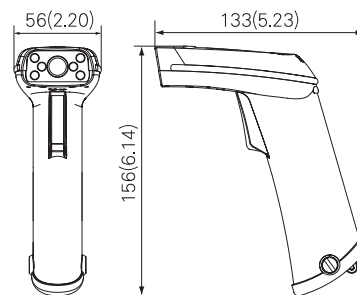
The reading width is a calculated value and is for guidance only.
Unit: mm (inches)

OPD 7124: HD: PDF417



Dimensions

Unit: mm (inches)



Accessories

Sold separately
Bluetooth adapter: on request
Single cradle: CRD-7124
Auto trigger stand: ST-80