



## ScanPal® 2

ScanPal•2 is a compact, portable data collection terminal designed for daily use in applications such as inventory/stock control, shipping/receiving, and more.

Metrologic's ScanPal 2 is designed for all-day, everyday use. The compact design allows the user single handed operation, ease of use, and durability.

A brightly lit LCD graphics screen with built-in contrast control allows the user to adjust the brightness of the screen, enabling it to be read perfectly in all lighting conditions. The font size on the display can be specified as either small font (20x8 characters), or large font (15x4 characters).

Using two standard 'AAA' batteries, the ScanPal 2 provides over 100 hours of operation. The 1MB SRAM allows for approximately 50,000 records

to be stored in ScanPal 2's memory. Uploading the collected data is quick and easy via RS232, IR, IrDA, or Keyboard Wedge data transmission.

Each ScanPal 2 contains an easy-to-use, but comprehensive Windows®-based application generator and downloading utilities. BASIC and C compilers are also available for advanced programming.

There are a multitude of applications in which ScanPal 2 performs including inventory/stock control, shipping and receiving, document monitoring, factory floor data collection, shelf price audits, price checking, asset tracking, warehousing and distribution operations.

[www.metrologic.com](http://www.metrologic.com)

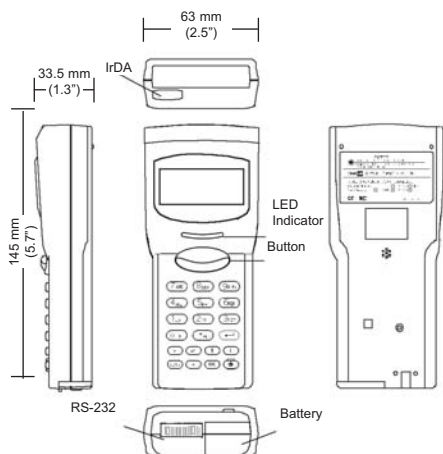


### FEATURES

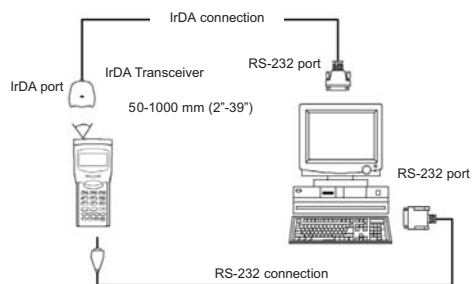
- Easy to use Windows-based application generator
- Optional "C" and "BASIC" compilers
- 128 x 64 pixel back-lit LCD display
- Various accessory options
- 1 MB SRAM, stores over 50K records

### BENEFITS

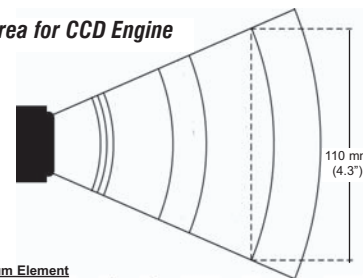
- No programming experience needed; application is up and running in just a few minutes
- Offers additional customization capabilities for the more experienced programmer
- Easy to read in all lighting conditions. Large screen allows for both large and small fonts
- Flexibility to customize for any application
- Minimizes downtime by eliminating the need to continuously offload data



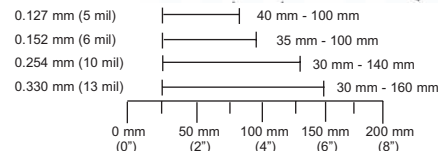
### RS-232 or IrDA Connection



### Scan Area for CCD Engine



#### Bar Code Minimum Element



## OPERATIONAL

<b>System</b>	
CPU	16-bit CMOS, low power consumption
Program Memory	1 MB flash ROM
Data Memory	1 MB SRAM
Display	LCD - 128 x 64 pixels, back-lit
Resolution	8 lines x 20 characters (max), 4 lines x 15 characters (min)
Keypad	21 rubber keys; alpha/numeric, function, scanner
Indicators	Buzzer - programmable audible indicator (1 KHz - 4KHz) LED - Dual-color, programmable green and red

<b>CCD Scanner</b>	
Light Source	610 nm - 623 nm LED
Resolution	0.125 mm (5mil) - 1.00 mm (40mil)
Depth of field	60 mm - 130 mm (2.4" - 5.1") for 0.33 mm (13 mil) bar codes
Scan rate	100 scan/sec

<b>Communication</b>	
RS-232	Transmission speed up to 115.2 K bps
IrDA or High Speed IR	Transmission speed up to 115.2 K bps
Keyboard Wedge	Transmitted as PC keyboard data
Application Development	Windows-based Application Generator; optional C & BASIC compilers

## MECHANICAL

Length	145 mm (5.7")
Width	63 mm (2.5")
Height	33.5 mm (1.3")
Weight	180 g (6.3 oz) - including batteries

## ELECTRICAL

Battery Operation	Two "AAA" batteries; optional one Ni-MH rechargeable battery
Battery Backup	3.0V, 7.0mA hours, rechargeable lithium battery
Operation	Over 100 hours (with two "AAA" batteries)
EMC regulation	FCC Class A, CE and C-Tick approved

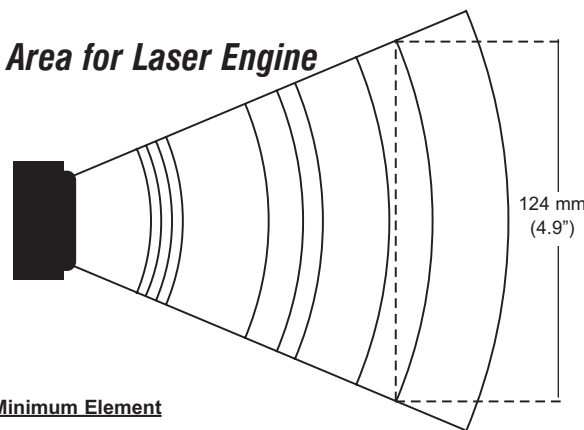
## ENVIRONMENTAL

Operating Temperature	-20°C to 60°C (-4°F to 140°F)
Storage Temperature	-30°C to 70°C (-22°F to 158°F)
Humidity	5% to 95% relative humidity, non-condensing
Shock resistance	1.2 m (4') drop onto concrete
Light Levels	Up to 2,500 Lux (232 footcandles)

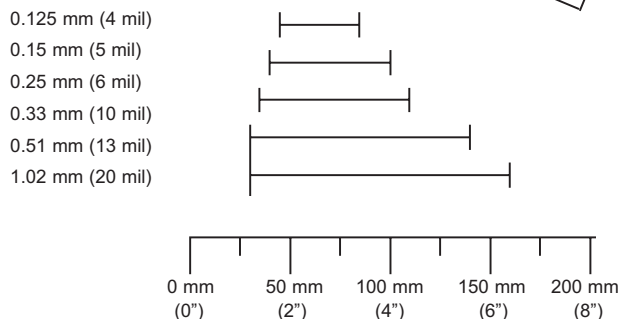
## SCAN PERFORMANCE (LASER SCANNER)

Visible Laser Diode	670 ± 15 nm
Minimum Bar Width	0.102 mm (4 mil)
Width of Scan Field	124 mm (4.9") @ 160 mm (6.3")
Depth of Scan Field	30 mm - 160 mm (1.2" - 6.3") for 0.33 mm (13 mil) bar codes
Scan Speed	36 ± 3 scans/sec
Scan Angle	42° nominal

### Scan Area for Laser Engine



#### Bar Code Minimum Element



Product Colors Available



ScanPal 2 is available in a variety of other colors with minimum quantity purchase



Specifications subject to change without notice.  
Printed U.S.A., Copyright August 2005  
Metrologic, All rights reserved.



DSSCANPAL2



Metrologic Instruments, Inc. | **Worldwide Headquarters**  
90 Coles Road | Blackwood, NJ 08012-4683 | www.metrologic.com  
Telephone 856-228-8100 | Fax 856-228-6673 | info@metrologic.com

**Asian Headquarters**  
Tel. 65.6842.7155  
info@sg.metrologic.com

**European Headquarters**  
Tel. 49.89.89019.0  
info@eu.metrologic.com

**The Americas Headquarters**  
Tel. 1.800.ID.METRO  
info@us.metrologic.com

ISO 9001:2000