



Metrologic®
We really work for you.™

MS7180 OrbitCG™

OrbitCG™ provides a stylish solution for omnidirectional and menu-scanning applications where counter space is at a premium.

The Metrologic OrbitCG combines the power of patented CodeGate® technology with many of the outstanding features already found in the Orbit® (model 7120) – the all-time, best-selling small omnidirectional hands-free scanner.

With the push of single button, CodeGate technology augments OrbitCG's patented 20-line aggressive scan pattern with a single-line mode ideal for targeted or menu scanning.

This innovative, elegant and affordable solution to convenience retail applications also safeguards long-term infrastructure commitments.

In the event of a change in POS system or software, OrbitCG easily updates firmware via its patented MetroSet®2 configuration software – provided free by Metrologic. Use either a USB or RS232 interface to perform configuration updates.

Based on the original Orbit's (model #7120) award-winning design, OrbitCG's shape enables hand-held scanning of large, bulky items. For added flexibility, the scanning head can be tilted within a 30° range to accommodate objects of various sizes and shapes.

Standard features include an EAS antenna integration for tag deactivation, power save mode, data editing, OPOS/JPOS compatibility for easy installation and user-replaceable cables.

www.metrologic.com

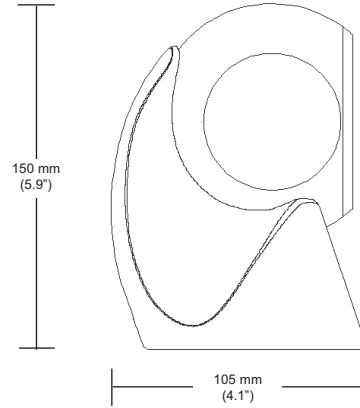
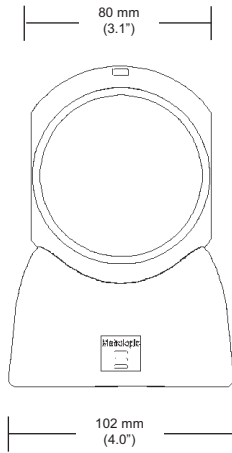


FEATURES

- 20 scan line omni-directional pattern
- Single Line Option
- Adjustable scan head
- Flash ROM
- EAS

BENEFITS

- Provides aggressive scanning as an additional benefit to hand presentation applications
- With the push of a button, switch to a targeted scan ideal for menu scanning
- Ability to tilt scanner 30° for targeted scanning or larger products
- Protects infrastructure investment - update firmware from any PC with MetroSet®2 software provided free from Metrologic
- Deactivate an EAS tag and decode a bar code in a single scan



OPERATIONAL

Light Source	Visible Laser Diode 650 nm ± 10 nm
Laser Power	0.663 mW (peak)
Decode Capability	Autodiscriminates all standard 1-D and RSS-14 bar codes; for other symbologies call Metrologic
System Interfaces	Keyboard Wedge, RS232, Light Pen Emulation, IBM 468X/469X, USB
Number Characters Read	Up to 80 data characters
Beeper Operation	7 tones or no beep
Indicators (LED)	Blue* = laser on, ready to scan White* = good read *Indicator colors can be reversed

MECHANICAL

Height	150 mm (5.9")
Depth	105 mm (4.1")
Width - Orb	80 mm (3.1")
Width - Base	102 mm (4")
Weight	400 g (14.1 oz)
Termination	10 pin modular RJ45
Cable	Standard 2.1 m (7') straight; optional 2.7 m (9') coiled; for other cables call Metrologic
Tilt - Orb	30° vertical

ELECTRICAL

Input Voltage	5 VDC ± 0.25 V
Power	.9 W typical @ 5 VDC
Operating Current	180 mA
DC Transformers	Class 2; 5.2 V @ 650 mA
Laser Class 1	EN: 60825-1:1994+A11:1996+A2:2001
EMC	Class B: FCC Part 15, ICES-003, EN 55022 Class B

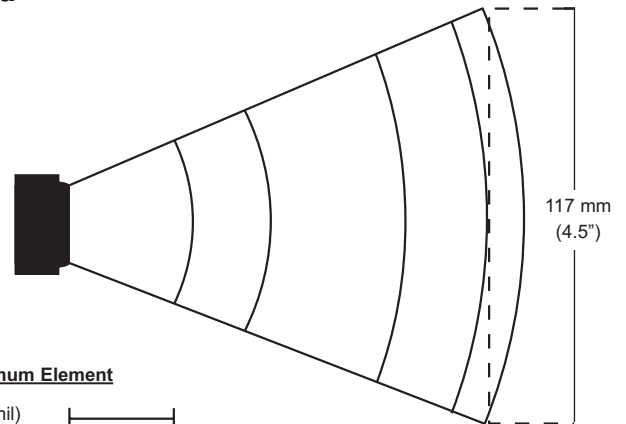
ENVIRONMENTAL

Operating Temperature	0°C to 40°C (32°F to 104°F)
Storage Temperature	-40°C to 60°C (-40°F to 140°F)
Humidity	5% to 95% relative humidity, non-condensing
Light Levels	Up to 4842 Lux (450 footcandles)
Shock	Designed to withstand 1.2 m (4') drops

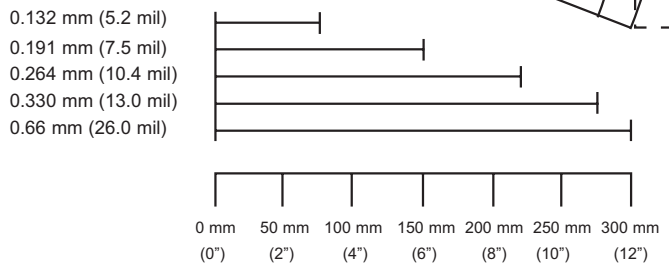
SCAN PERFORMANCE

Depth of Scan Field (programmable)	0 mm - 275 mm (0" - 10.5") for 0.33 mm (13 mil) bar codes
Width of Scan Field	60 mm (2.4") @ face; 117 mm (4.5") @ 275 mm (10.5")
Scan Speed	1120 scan lines per second
Scan Pattern	5 fields of 4 parallel lines (omnidirectional)
Number of Scan Lines	20
Minimum Bar Width	0.13 mm (5.2 mil)
Print Contrast	35% minimum reflectance difference
Roll, Pitch, Yaw	360°, 60°, 60°

Scan Area



Bar Code Minimum Element



Product Colors Available
Smoke White Onyx Black

MS7180 is available in a variety of other colors with minimum quantity purchase



Sunrise 2005 Compliant



www.metrologic.com
ISO 9001:2000

Metrologic Instruments, Inc. | **Worldwide Headquarters**
90 Coles Road | Blackwood, NJ 08012-4683 | info@metrologic.com
Telephone 856-228-8100 | Fax 856-228-6673

Asian Headquarters Tel. 65.6842.7155 info@sg.metrologic.com
European Headquarters Tel. 49.89.89019.0 info@eu.metrologic.com
The Americas Headquarters Tel. 1.800.ID.METRO info@us.metrologic.com

Specifications subject to change without notice.
Printed U.S.A., Copyright July 2006
Metrologic, All rights reserved.



DS7180